

JAMB-O ADJUSTABLE ASSEMBLY SCREW

AVAILABLE MATERIALS

- MHigh strength steel, zinc plated

FEATURES/ADVANTAGES

1: Improved Head Shape

- Countersunk head with milling ribs
- Fast and easy countersinking
- High milling rate due to special ribs
- Positive engagement with bit means no wobble

2: Ring thread

- For fastening and adjusting in wood

3: Asymmetrical thread

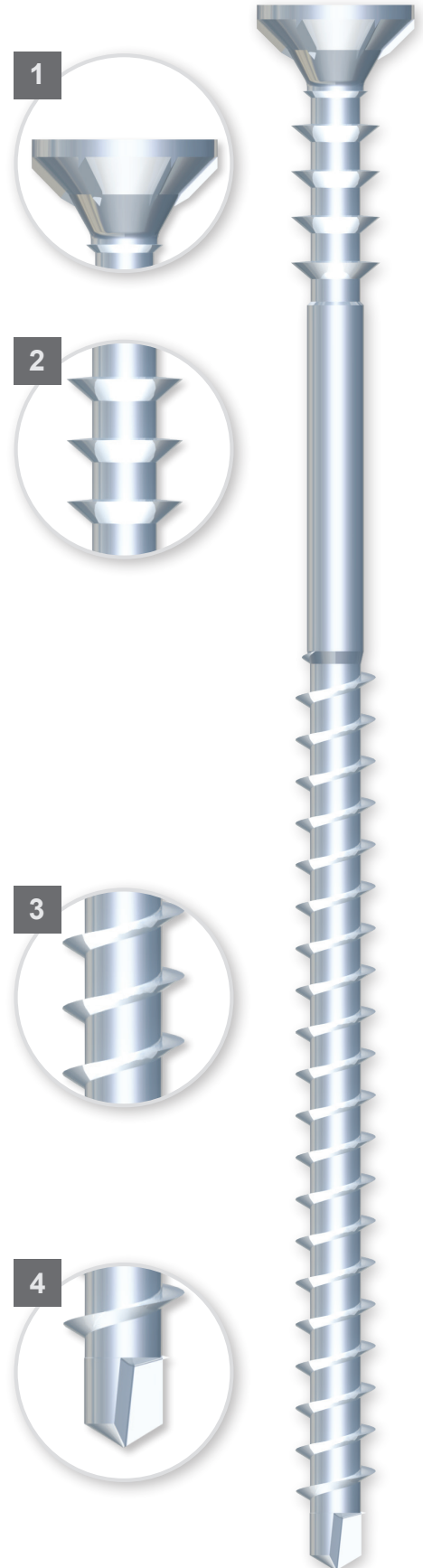
- Fast drive of screw
- Reduced installation torque
- High overtorque

4: Drilling tip

- Fast and secure positioning
- Reduces splitting of the wood
- Improved starting for coated surfaces
- Reduces splitting in close to the edge applications

The MKT Jamb-O Screw is specially designed for spacing wood construction members and it eliminates shimming when installing cabinets, windows and doors.

- 50% time savings
- No time-consuming installation of shims under the battens
- Fast level adjustments with screwdriver



WALL



INSTALLATION

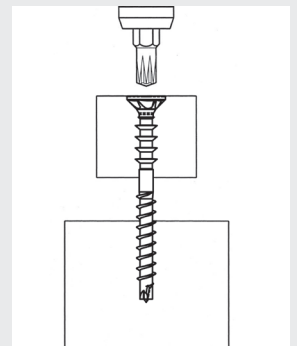
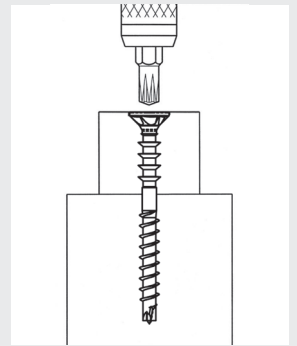
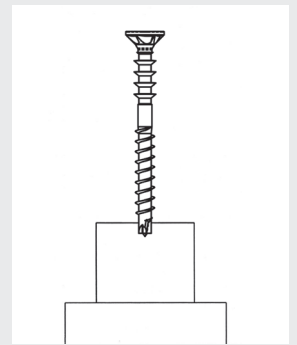
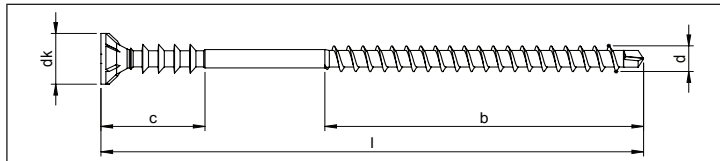
Screw in the JAMB-O screw with TX drive until the screw head is countersunk into the wood at least 1/16". Reverse the rotation and unscrew the screw until the wood achieves the desired position.

CEILING



NOTE

The wood being fastened (T_{FIX}) should be at least 3/4" thick. The screw length must be greater than $T_{FIX} + b$.



ORDER DETAIL

Order Code	ø d (inch)	l (inch)	c (inch)	b (inch)	ø dk (inch)	Drive	Box Qty.
8112200	#12	2	1	1	1/2	TX 30	100
8112214	#12	2 1/4	1	1 3/8	1/2	TX 30	100
8112234	#12	2 3/4	1	1 5/8	1/2	TX 30	100
8112318	#12	3 1/8	1	1 7/8	1/2	TX 30	100
8112312	#12	3 1/2	1	2 3/8	1/2	TX 30	100
8112400	#12	4	1	2 3/8	1/2	TX 30	100
8112414	#12	4 1/4	1	2 3/4	1/2	TX 30	100
8112434	#12	4 3/4	1	2 3/4	1/2	TX 30	100
8112518	#12	5 1/8	1	2 3/4	1/2	TX 30	100
8112558	#12	5 5/8	1	2 3/4	1/2	TX 30	100
8112614	#12	6 1/4	1	2 3/4	1/2	TX 30	100