



ICC
EVALUATION
SERVICE

In Cooperation with



Most Widely Accepted and Trusted

ESR-4347

Issued 12/2018

Revised 04/2019

This report is subject to renewal 12/2019.

ICC-ES Evaluation Report

ICC-ES | (800) 423-6587 | (562) 699-0543 | www.icc-es.org

DIVISION: 03 00 00—CONCRETE

SECTION: 03 16 00—CONCRETE ANCHORS

DIVISION: 05 00 00—METALS

SECTION: 05 05 19—POST-INSTALLED CONCRETE ANCHORS

REPORT HOLDER:

MKT FASTENING, LLC

EVALUATION SUBJECT:

SUP-R-BOLT SCREW ANCHORS FOR USE IN CRACKED AND UNCRACKED CONCRETE



“2014 Recipient of Prestigious Western States Seismic Policy Council (WSSPC) Award in Excellence”



ICC-ES Evaluation Reports are not to be construed as representing aesthetics or any other attributes not specifically addressed, nor are they to be construed as an endorsement of the subject of the report or a recommendation for its use. There is no warranty by ICC Evaluation Service, LLC, express or implied, as to any finding or other matter in this report, or as to any product covered by the report.



Copyright © 2019 ICC Evaluation Service, LLC. All rights reserved.

ICC-ES Evaluation Report

ESR-4347

Issued December 2018

Revised April 2019

This report is subject to renewal December 2019.

www.icc-es.org | (800) 423-6587 | (562) 699-0543

A Subsidiary of the International Code Council®

DIVISION: 03 00 00—CONCRETE
Section: 03 16 00—Concrete Anchors

DIVISION: 05 00 00—METALS
Section: 05 05 19—Post-Installed Concrete Anchors

REPORT HOLDER:

MKT FASTENING, LLC

EVALUATION SUBJECT:

**SUP-R-BOLT SCREW ANCHORS FOR USE IN
CRACKED AND UNCRACKED CONCRETE**

1.0 EVALUATION SCOPE

Compliance with the following codes:

- 2018, 2015, 2012 and 2009 International Building Code® (IBC)
- 2018, 2015, 2012 and 2009 International Residential Code® (IRC)

For evaluation for compliance with codes adopted by the Los Angeles Department of Building and Safety (LADBS), see [ESR-4347 LABC and LARC Supplement](#).

Property evaluated:

- Structural

2.0 USES

The Sup-R-Bolt screw anchors are used as anchorage to resist static, wind and seismic (Seismic Design Categories A through F) tension and shear loads in cracked and uncracked normal weight and lightweight concrete having a specified compressive strength, f'_c , of 2,500 psi to 8,500 psi (17.2 MPa to 58.6 MPa).

The Sup-R-Bolt screw anchors comply with Section 1901.3 of the 2018 and 2015 IBC, Section 1909 of the 2012 IBC and Section 1912 of the 2009 IBC. The Sup-R-Bolt screw anchors are an alternative to cast-in-place anchors described in Section 1901.3 of the 2018 and 2015 IBC, Section 1908 and 1909 of the 2012 IBC, and Section 1911 and 1912 of the 2009 IBC. The anchors may also be used where an engineered design is submitted in accordance with Section R301.1.3 of the IRC.

3.0 DESCRIPTION

3.1 Sup-R-Bolt with Sup-R-Coat:

Sup-R-Bolt screw anchors with Sup-R-Coat protection are comprised of a body with hex washer head. The anchor is

manufactured from carbon steel and is heat treated. The anchoring system is available in a variety of lengths, with nominal diameters of $\frac{3}{8}$ inch, $\frac{1}{2}$ inch, $\frac{5}{8}$ inch and $\frac{3}{4}$ inch. It has an Sup-R-Coat epoxy coating in gray or blue colors. The anchors have been tested for corrosion resistance in accordance with ASTM G85-11 Annex 5 for handling purposes (e.g. storage). A typical Sup-R-Bolt screw anchor is illustrated in Figure 3.

The hex head diameter is larger than the diameter of the anchor and is formed with serrations on the underside. The anchor body is formed with threads running most of the length of the anchor body. The anchor is installed in a predrilled hole with a powered impact wrench or torque wrench. The anchor threads cut into the concrete on the sides of the hole and interlock with the base material during the installation.

3.2 Sup-R-Bolt:

Sup-R-Bolt screw anchors are comprised of a body with hex washer head. The anchor is manufactured from carbon steel and is heat-treated. The anchoring system is available in a variety of lengths, with nominal diameters of $\frac{3}{8}$ inch, $\frac{1}{2}$ inch, $\frac{5}{8}$ inch and $\frac{3}{4}$ inch. It has a minimum of 0.0002-inch-thick (5 μ m) zinc coating according to ASTM B633 type SC1, class III. A typical Sup-R-Bolt screw anchor is illustrated in Figure 3.

The hex head diameter is larger than the diameter of the anchor and is formed with serrations on the underside. The anchor body is formed with threads running most of the length of the anchor body. The anchor is installed in a predrilled hole with a powered impact wrench or torque wrench. The anchor threads cut into the concrete on the sides of the hole and interlock with the base material during the installation.

3.3 Concrete:

Normal weight and lightweight concrete must conform to Sections 1903 and 1905 of the IBC, as applicable.

4.0 DESIGN AND INSTALLATION

4.1 Strength Design:

4.1.1 General: Design strength of anchors complying with the 2018 and 2015 IBC, as well as Section R301.1.3 of the 2018 and 2015 IRC must be determined in accordance with ACI 318-14 Chapter 17 and this report.

Design strength of anchors complying with the 2012 IBC, as well as Section R301.1.3 of the 2012 IRC, must be in accordance with ACI 318-11 Appendix D and this report.

Design strength of anchors complying with the 2009 IBC as well as Section R301.1.3 of the 2009 IRC must be in accordance with ACI 318-08 Appendix D and this report.

Design parameters are based on the 2018 and 2015 IBC (ACI 318-14) and the 2012 IBC (ACI 318-11) unless noted otherwise in Sections 4.1.1 through 4.1.12 of this report. The strength design of anchors must comply with ACI 318-14 17.3.1 or ACI 318-11 D.4.1, as applicable, except as required in ACI 318-14 17.2.3 or ACI 318-11 D.3.3, as applicable. Strength reduction factors, ϕ , as given in ACI 318-14 17.3.3 or ACI 318-11 D.4.3, as applicable, and noted in Table 2 of this report, must be used for load combinations calculated in accordance with Section 1605.2 of the IBC and Section 5.3 of ACI 318-14 or Section 9.2 of ACI 318-11, as applicable. Strength reduction factors, ϕ , as given in ACI 318-11 D.4.4 must be used for load combinations calculated in accordance with ACI 318-11 Appendix C.

The value of f'_c used in the calculations must be limited to a maximum of 8,000 psi (55.2 MPa), in accordance with ACI 318-14 17.2.7 or ACI 318-11 D.3.7, as applicable.

4.1.2 Requirements for Static Steel Strength in Tension, N_{sa} : The nominal static steel strength in tension must be calculated in accordance with ACI 318-14 17.4.1.2 or ACI 318-11 D.5.1.2, as applicable. The values for N_{sa} are given in Table 2 of this report. Strength reduction factors, ϕ , corresponding to brittle steel elements may be used for all Sup-R-Bolt anchors.

4.1.3 Requirements for Static Concrete Breakout Strength in Tension, N_{cb} and N_{cbg} : The nominal concrete breakout strength of a single anchor or group of anchors in tension, N_{cb} and N_{cbg} , respectively, must be calculated in accordance with ACI 318-14 17.4.2 or ACI 318-11 D.5.2, as applicable, with modifications as described in this section. The basic concrete breakout strength of a single anchor in tension, N_b , must be calculated in accordance with ACI 318-14 17.4.2.2 or ACI 318-11 D.5.2.2, as applicable, using the values of h_{ef} and k_{cr} as given in Table 2 of this report. The nominal concrete breakout strength in tension, in regions where analysis indicates no cracking in accordance with ACI 318-14 17.4.2.6 or ACI 318-11 D.5.2.6, as applicable, must be calculated with the value of $\psi_{c,N} = 1.0$ and using the value of k_{uncr} as given in Table 2 of this report.

4.1.4 Requirements for Static Pullout Strength in Tension, N_p : The nominal pullout strength of a single anchor, in accordance with ACI 318-14 17.4.3.1 and 17.4.3.2 or ACI 318-11 D.5.3.1 and D.5.3.2, as applicable, in cracked and uncracked concrete, $N_{p,cr}$ and $N_{p,uncr}$, respectively, is given in Table 2 of this report. In lieu of ACI 318-14 17.4.3.6 or ACI 318-11 D.5.3.6, as applicable, $\psi_{c,P} = 1.0$ for all design cases. In accordance with ACI 318-14 17.4.3.2 or ACI 318-11 D.5.3.2, as applicable, the nominal pullout strength in cracked concrete must be adjusted by calculation according to the following equation:

$$N_{p,cr} = N_{p,cr} \left(\frac{f'_c}{2,500} \right)^n \quad (\text{lb, psi}) \quad (\text{Eq-1})$$

$$N_{p,cr} = N_{p,cr} \left(\frac{f'_c}{17.2} \right)^n \quad (\text{N, MPa})$$

In regions where analysis indicates no cracking in accordance with ACI 318-14 17.4.3.6 or ACI 318-11 D.5.3.6, as applicable, the nominal pullout strength in tension must be calculated according to the following equation:

$$N_{p,cr} = N_{p,uncr} \left(\frac{f'_c}{2,500} \right)^n \quad (\text{lb, psi}) \quad (\text{Eq-2})$$

$$N_{p,cr} = N_{p,uncr} \left(\frac{f'_c}{17.2} \right)^n \quad (\text{N, MPa})$$

n = normalization exponent given in Table 2.

Where values for $N_{p,cr}$ or $N_{p,uncr}$ are not provided in Table 2, the pullout strength in tension need not be evaluated.

4.1.5 Requirements for Static Steel Strength in Shear, V_{sa} : The nominal steel strength in shear, V_{sa} , in accordance with ACI 318-14 17.5.1.2 or ACI 318-11 D.6.1.2, as applicable, is given in Table 2 of this report and must be used in lieu of the value derived by calculation from ACI 318-14 Eq 17.5.1.2b or ACI 318-11 Eq D-29, as applicable. Strength reduction factors, ϕ , corresponding to brittle steel elements may be used for the Sup-R-Bolt anchors, as described in Table 2.

4.1.6 Requirements for Static Concrete Breakout Strength in Shear, V_{cb} or V_{cbg} : The nominal concrete breakout strength in shear of a single anchor or group of anchors, V_{cb} or V_{cbg} , respectively, must be calculated in accordance with ACI 318-14 17.5.2 or ACI 318-11 D.6.2, as applicable, with modifications as provided in this section. The basic concrete breakout strength of a single anchor in shear, V_b , must be calculated in accordance with ACI 318-14 17.5.2.2 or ACI 318-11 D.6.2.2, as applicable, using values of l_e and d_o given in Table 2 of this report.

4.1.7 Requirements for Static Concrete Pryout Strength in Shear, V_{cp} or V_{cpg} : The nominal static concrete pryout strength of a single anchor or group of anchors in shear, V_{cp} or V_{cpg} , respectively, must be calculated in accordance with ACI 318-14 17.5.3 or ACI 318-11 D.6.3, as applicable, modified by using the value of k_{cp} provided in Table 2 of this report and the value of N_{cb} or N_{cbg} as calculated in accordance with Section 4.1.3 of this report.

4.1.8 Requirements for Seismic Design:

4.1.8.1 General: For load combinations including seismic, the design must be performed in accordance with ACI 318-14 17.2.3 or ACI 318-11 D.3.3, as applicable. Modifications to ACI 318-14 17.2.3 shall be applied under Section 1905.1.8 of the 2018 and 2015 IBC. For the 2012 IBC, Section 1905.1.9 shall be omitted. Modifications to ACI 318 (-08, -05) D.3.3 shall be applied under Section 1908.1.9 of the 2009 IBC, as applicable.

4.1.8.2 Seismic Tension: The nominal steel strength and the nominal concrete breakout strength for anchors in tension must be calculated in accordance with ACI 318-14 17.4.1 and 17.4.2 or ACI 318-11 D.5.1 and D.5.2, respectively, as applicable, as described in Sections 4.1.2 and 4.1.3 of this report. In accordance with ACI 318-14 17.4.3.2 or ACI 318-11 D.5.3.2, as applicable, the appropriate value for pullout strength in tension for seismic loads, $N_{p,eq}$, may be adjusted by calculation for concrete strength in accordance with Eq-1 and section 4.1.4 whereby the value of $N_{p,cr}$ must be substituted with $N_{p,eq}$.

4.1.8.3 Seismic Shear: The nominal concrete breakout strength and pryout strength for anchors in shear must be calculated according to ACI 318-14 17.5.2 and 17.5.3 or ACI 318-11 D.6.2 and D.6.3, respectively, as applicable, as described in Sections 4.1.6 and 4.1.7 of this report. In accordance with ACI 318-14 17.5.1.2 or ACI 318-11 D.6.1.2, as applicable, the appropriate value for nominal steel strength for seismic loads, $V_{sa,eq}$ described in Table 2 must be used in lieu of V_{sa} .

4.1.9 Requirements for Interaction of Tensile and Shear Forces: For anchors or groups of anchors that are subject to the effects of combined tensile and shear forces, the design must be performed in accordance with ACI 318-14 17.6 or ACI 318-11 D.7, as applicable.

4.1.10 Requirements for Critical Edge Distance: In applications where $c < c_{ac}$ and supplemental reinforcement to control splitting of the concrete is not present, the concrete breakout strength in tension for uncracked concrete, calculated according to ACI 318-14 17.4.2 or ACI 318-11 D.5.2, as applicable, must be further multiplied by factor $\psi_{cp,N}$ as given by the following equation:

$$\psi_{cp,N} = \frac{c}{c_{ac}} \quad (\text{Eq-3})$$

where the factor $\psi_{cp,N}$ need not be taken as less than $1.5h_{ef} / c_{ac}$. For all other cases, $\psi_{cp,N} = 1.0$. In lieu of ACI 318-14 17.7.6 or ACI 318-11 D.8.6, as applicable, values for the critical edge distance c_{ac} must be taken from Table 1 of this report.

4.1.11 Requirements for Minimum Member Thickness, Minimum Anchor Spacing and Minimum Edge Distance: In lieu of ACI 318-14 17.7.1 and 17.7.3 or ACI 318-11 D.8.1 and D.8.3, respectively, as applicable, values of s_{min} and c_{min} as given in Table 1 of this report must be used. In lieu of ACI 318-14 17.7.5 or ACI 318-11 D.8.5, as applicable, minimum member thickness h_{min} as given in Table 1 of this report must be used.

4.1.12 Lightweight Concrete: For the use of anchors in lightweight concrete, the modification factor λ_a equal to 0.8λ is applied to all values of $\sqrt{f'_c}$ affecting N_n and V_n .

For ACI 318-14 (2018 and 2015 IBC), ACI 318-11 (2012 IBC) and ACI 318-08 (2009 IBC), λ shall be determined in accordance with the corresponding version of ACI 318.

4.2 Allowable Stress Design (ASD):

4.2.1 General: Design values for use with allowable stress design load combinations calculated in accordance with Section 1605.3 of the IBC shall be established as follows:

$$T_{allowable,ASD} = \frac{\phi N_n}{\alpha} \quad (\text{Eq-4})$$

$$V_{allowable,ASD} = \frac{\phi V_n}{\alpha} \quad (\text{Eq-5})$$

where,

$T_{allowable,ASD}$ = Allowable tension load (lbf or kN)

$V_{allowable,ASD}$ = Allowable shear load (lbf or kN)

ϕN_n = Lowest design strength of an anchor or anchor group in tension as determined in accordance with ACI 318 (-11, -08) Appendix D or ACI 318-14 Chapter 17 as applicable and 2018 and 2015 IBC Section 1905.1.8, , 2009 IBC Section 1908.1.9 and Section 4.1 of this report, as applicable. For 2012 IBC, Section 1905.1.9 shall be omitted.

ϕV_n = Lowest design strength of an anchor or anchor group in shear as determined in accordance with ACI 318 (-11, -08) Appendix D or ACI 318-14 Chapter 17 as applicable and 2018 and 2015 IBC Section 1905.1.8, 2012 IBC Errata Section 1905.1.9, 2009 IBC Section 1908.1.9 and Section 4.1 of this report, as applicable. For 2012 IBC, Section 1905.1.9 shall be omitted.

α = Conversion factor calculated as a weighted average of the load factors for the controlling load combination. In addition, α shall include all appropriate factors to account for nonductile failure modes and required over-strength.

The requirements for member thickness, edge distance and spacing, described in this report, must apply. An example of allowable stress design values for illustrative purposes is shown in Table 3.

4.2.2 Requirements for Interaction of Tensile and Shear Forces: The interaction must be calculated and consistent with ACI 318-14 17.6 or ACI 318 (-11 and -08) D.7, as applicable, as follows:

For shear loads $V_{applied} \leq 0.2V_{allowable,ASD}$, the full allowable load in tension $T_{allowable,ASD}$ may be taken.

For tension loads $T_{applied} \leq 0.2T_{allowable,ASD}$, the full allowable load in shear $V_{allowable,ASD}$ may be taken.

For all other cases:

$$\frac{T_{applied}}{T_{allowable,ASD}} + \frac{V_{applied}}{V_{allowable,ASD}} \leq 1.2 \quad (\text{Eq-6})$$

4.3 Installation:

Installation parameters are provided in Table 1 and in Figures 1 and 2 of this report. Anchors must be installed per the manufacturer's published instructions and this report. In case of conflict, this report governs. Anchor locations must comply with this report and the plans and specifications approved by the code official. Anchors must be installed in holes drilled into concrete using carbide-tipped drill bits complying with ANSI B212.15-1994. The nominal drill diameter must be equal to the nominal diameter of the anchor. Prior to anchor installation, the hole must be cleaned in accordance with the manufacturer's published installation instructions. The minimum drilled hole depth h_{hole} is given in Table 1. The anchor must be installed into the predrilled hole using a powered impact wrench or installed with a torque wrench until the proper nominal embedment depth is obtained. The maximum impact installation wrench torque, $T_{impact,max}$, and maximum installation torque, $T_{inst,max}$ for the manual torque wrench must be in accordance with Table 1.

Sup-R-Bolt screw anchors are permitted to be loosened by a maximum of one full turn and re-tightened with a torque wrench or a powered impact wrench to facilitate fixture attachment or realignment. Complete removal and reinstallation of the anchor is not allowed.

4.4 Special Inspection:

Periodic special inspection is required, in accordance with Section 1705.1.1 and Table 1705.3 of the 2018, 2015 or 2012 IBC, or section 1704.15 and Table 1704.4 of the 2009 IBC, as applicable. The special inspector must make periodic inspections during anchor installation to verify anchor type, anchor dimensions, concrete type, concrete compressive strength, hole dimensions, anchor spacing, edge distances, concrete thickness, anchor embedment, installation torque, maximum impact wrench torque rating and adherence to the manufacturer's published installation instructions. The special inspector must be present as often as required in accordance with the "statement of special inspection". Under the IBC, additional requirements as set forth in Sections 1705, 1706 and 1707 must be observed, where applicable.

5.0 CONDITIONS OF USE

The MKT Sup-R-Bolt screw anchors described in this report comply with, or are a suitable alternative to what is specified in, those codes listed in Section 1.0 of this report, subject to the following conditions:

5.1 Anchor sizes, dimensions and minimum embedment depths are as set forth in the tables of this report.

- 5.2 The anchors must be installed in accordance with the manufacturer's published installation instructions and this report, in cracked and uncracked normal weight and lightweight concrete having a specified compressive strength of $f'_c = 2,500$ psi to 8,500 psi (17.2 MPa to 58.6 MPa). In case of conflict between this report and the manufacturer's instructions, this report governs.
 - 5.3 The values of f'_c used for calculation purposes must not exceed 8,000 psi (55.1 MPa).
 - 5.4 The concrete shall have attained its minimum design strength prior to installation of the anchors.
 - 5.5 Strength design values are established in accordance with Section 4.1 of this report.
 - 5.6 Allowable stress design values are established in accordance with Section 4.2 of this report.
 - 5.7 Anchor spacing and edge distance as well as minimum member thickness must comply with Table 1 of this report.
 - 5.8 Prior to installation, calculations and details demonstrating compliance with this report must be submitted to the code official. The calculations and details must be prepared, signed and sealed by a registered design professional where required by the statutes of the jurisdiction in which the project is to be constructed.
 - 5.9 Since an ICC-ES acceptance criteria for evaluating data to determine the performance of anchors subjected to fatigue or shock load is unavailable at this time, the use of these anchors under such conditions is beyond the scope of this report.
 - 5.10 Anchors may be installed in regions of concrete where cracking has occurred or where analysis indicates cracking may occur ($f_t > f_r$), subject to the conditions of this report.
 - 5.11 Anchors may be used to resist short-term loading due to wind or seismic forces in locations designated as Seismic Design Categories A through F under the IBC, subject to the conditions of this report.
 - 5.12 Anchors are not permitted to support fire-resistance-rated construction. Where not otherwise prohibited by the code, anchors are permitted for installation in fire-resistance-rated construction provided that at least one of the following conditions is fulfilled:
 - Anchors are used to resist wind or seismic forces only.
 - Anchors that support gravity load-bearing structural elements are within a fire-resistance-rated envelope or a fire-resistance-rated membrane, are protected by approved fire-resistance-rated materials, or have been evaluated for resistance to fire exposure in accordance with recognized standards.
 - Anchors are used to support nonstructural elements.
- 5.13 Use of anchors is limited to dry, interior locations.
- 5.14 Anchors have been evaluated for reliability against brittle fracture and found not to be significantly sensitive to stress-induced hydrogen embrittlement
- 5.15 Special inspection must be provided in accordance with Section 4.4 of this report.
- 5.16 Anchors are manufactured under an approved quality control program with inspections by ICC-ES.
- ## 6.0 EVIDENCE SUBMITTED
- 6.1 Data in accordance with the ICC-ES Acceptance Criteria for Mechanical Anchors in Concrete Elements (AC193), dated October 2017 (editorially revised April 2018), which incorporates requirements in ACI 355.2-07, for use in cracked and uncracked concrete.
 - 6.2 Data in accordance with ASTM G85-11 Annex 5 for corrosion resistance.
 - 6.3 Quality control documentation.
- ## 7.0 IDENTIFICATION
- 7.1 The anchors are identified by packaging labeled with the evaluation report holder's name (MKT Fastening, LLC) and address, anchor name, anchor size, and evaluation report number (ESR-4347). In addition, the anchors have the size (diameter x length, in inches) and company logo stamped on the head of each screw anchor.
 - 7.2 The report holder's contact information is the following:

MKT FASTENING, LLC
1 GUNNEBO DRIVE
LONOKE, ARKANSAS 72086
(501) 676-2222
www.mktfastening.com
info@mktfastening.com

TABLE 1—ANCHOR INSTALLATION PARAMETERS¹

Characteristic	Symbol	Unit	Nominal Anchor Diameter							
			³ / ₈ "		¹ / ₂ "		⁵ / ₈ "		³ / ₄ "	
Drill Bit Diameter	d_o	in (mm)	³ / ₈ (9.5)	³ / ₈ (9.5)	¹ / ₂ (12.7)	¹ / ₂ (12.7)	⁵ / ₈ (15.9)	⁵ / ₈ (15.9)	³ / ₄ (19.1)	³ / ₄ (19.1)
Nominal Embedment Depth	h_{nom}	in (mm)	2 1/2 (64)	3 1/4 (83)	3 (76)	4 1/4 (108)	3 1/4 (83)	5 (127)	4 (102)	6 1/4 (159)
Effective Embedment Depth	h_{ef}	in (mm)	1.85 (47)	2.49 (63)	2.21 (56)	3.27 (83)	2.36 (60)	3.85 (98)	2.97 (75)	4.89 (124)
Minimum Hole Depth	h_{hole}	in (mm)	2 3/4 (70)	3 1/2 (89)	3 3/8 (86)	4 5/8 (117)	3 5/8 (92)	5 3/8 (137)	4 3/8 (111)	6 5/8 (168)
Fixture Hole Diameter	d_f	in (mm)	1/2 (12.7)		5/8 (15.9)		3/4 (19.1)		7/8 (22.2)	
Maximum Installation Torque	$T_{inst,max}$	ft.lb (Nm)	35 (47)	50 (68)	45 (61)	65 (88)	85 (115)	100 (136)	115 (156)	150 (203)
Maximum impact wrench torque rating	$T_{impact,max}$	ft lb (Nm)	380 (515)	380 (515)	380 (515)	380 (515)	380 (515)	380 (515)	380 (515)	380 (515)
Minimum Concrete Thickness	h_{min}	in (mm)	4 (102)	4 1/4 (121)	4 3/4 (121)	6 3/4 (171)	5 (127)	7 (178)	6 (152)	8 1/8 (206)
Critical Edge Distance	c_{ac}	in (mm)	4 (102)	5 (127)	4 1/2 (114)	5 (127)	3 3/4 (95)	7 (178)	4 1/2 (114)	8 (203)
Minimum Edge Distance (c_{min})	c_{min}	in (mm)	1 1/2 (38)	1 1/2 (38)	1 3/4 (44)	1 3/4 (44)	1 3/4 (44)	1 3/4 (44)	1 3/4 (44)	1 3/4 (44)
Minimum Spacing (s_{min})	s_{min}	in (mm)	3 (76)	3 (76)	3 (76)	3 (76)	4 (102)	4 (102)	4 (102)	4 (102)
Minimum Overall Anchor Length	l_{anch}	in (mm)	2 3/4 (70)	3 1/2 (89)	3 1/4 (82)	4 1/2 (114)	3 1/2 (89)	5 1/4 (133)	4 1/4 (108)	6 1/2 (165)
Torque Wrench Socket Size	-	in	9/16		3/4		15/16		1 1/8	
Maximum Fixture Thickness ²	t_{fix}	in (mm)	L - 2 1/2 (L-64)	L - 3 1/4 (L-83)	L-3 (L-76)	L-4 1/4 (L-108)	L-3 1/4 (L-83)	L-5 (L-127)	L-4 (L-102)	L-6 1/4 (L-159)

- The tabulated data is to be used in conjunction with the design criteria given in ACI 318-14 Chapter 17 or ACI 318-11 Appendix D, as applicable.
- L = total anchor length

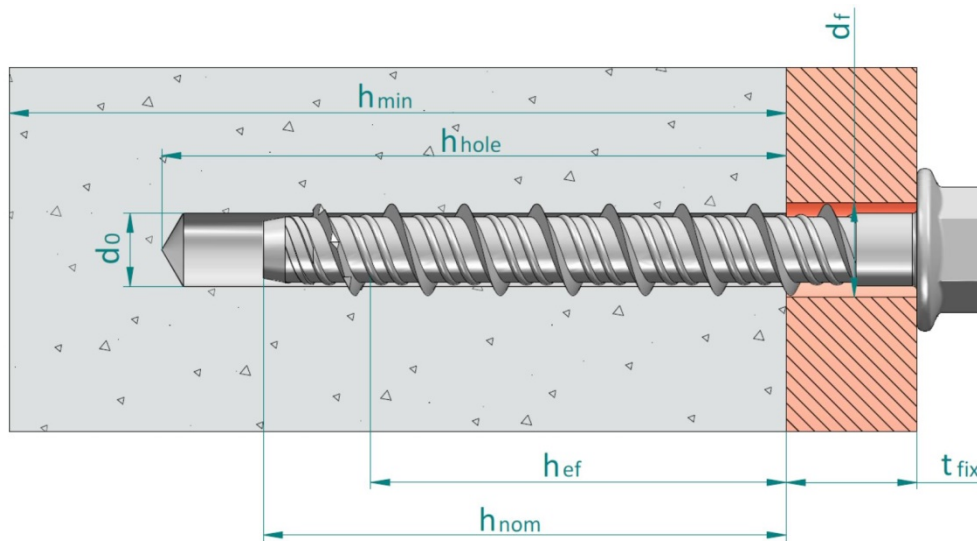
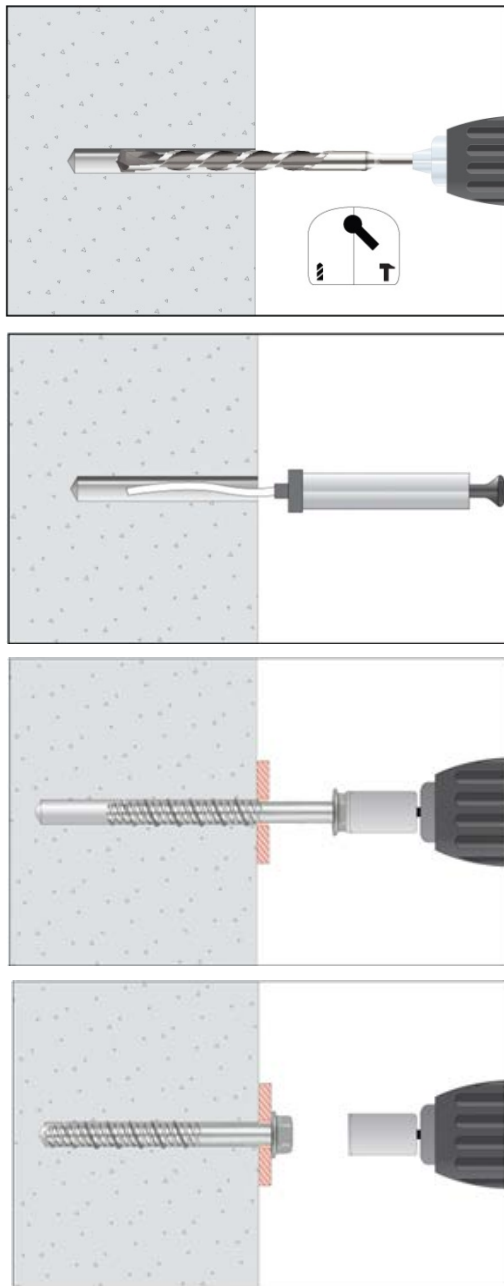


FIGURE 1—ANCHOR DIMENSIONS

TABLE 2—ANCHOR DESIGN INFORMATION^{1,2}

Characteristic	Symbol	Unit	Nominal Anchor Diameter							
			³ / ₈ "		¹ / ₂ "		⁵ / ₈ "		³ / ₄ "	
Nominal Embedment Depth	h_{nom}	in (mm)	2 ½ (64)	3 ¼ (83)	3 (76)	4 ¼ (108)	3 ¼ (83)	5 (127)	4 (102)	6 ¼ (159)
Anchor Category	1, 2 or 3	-	1							
Steel Strength in Tension and Shear										
Minimum specified ultimate strength	f_{uta}	psi (N/mm ²)	111,000 (765)		107,000 (738)		102,000 (703)		99,000 (683)	
Minimum specified yield strength	f_y	psi (N/mm ²)	88,800 (612)		85,600 (590)		81,600 (563)		79,200 (546)	
Effective stress area (screw anchor body)	A_{se}	in ² (mm ²)	0.0943 (60.8)		0.1768 (114.1)		0.2703 (174.4)		0.3988 (257.3)	
Steel Strength in Tension	N_{sa}	lb (kN)	10,465 (46.6)		18,920 (84.1)		27,570 (122.6)		39,480 (175.6)	
Strength Reduction Factor for Steel Failure in Tension	ϕ_{sa}	-	0.65							
Steel Strength in Shear	V_{sa}	lb (kN)	4,815 (21.4)	4,850 (21.6)	7,270 (32.3)	9,370 (41.7)	10,300 (45.8)	12,735 (56.7)	14,240 (63.3)	14,240 (63.3)
Steel Strength in Shear, Seismic	$V_{sa,eq}$	lb (kN)	4,075 (18.1)	4,075 (18.1)	5,075 (22.6)	7,140 (31.8)	8,030 (35.7)	10,300 (45.8)	12,105 (53.9)	12,105 (53.9)
Strength Reduction Factor for Steel Failure in Shear	ϕ_{sa}	-	0.60							
Pullout Strength in Tension³										
Pullout Strength in Uncracked Concrete	$N_{p,uncr}$	lb (kN)	-	-	-	-	-	-	-	-
Pullout Strength in Cracked Concrete	$N_{p,cr}$	lb (kN)	-	-	3,225 (14.3)	-	-	-	-	-
Pullout Strength in Cracked Concrete, Seismic	$N_{p,eq}$	lb (kN)	-	-	3,225 (14.3)	-	-	-	-	-
Normalization Exponent, Uncracked Concrete	n	-	-	-	0.50	-	-	-	-	-
Normalization Exponent, Cracked Concrete	n	-	-	-	0.35	-	-	-	-	-
Strength Reduction Factor for Pullout Strength in Tension	ϕ_p	-	0.65							
Concrete Breakout Strength in Tension										
Effective embedment	h_{ef}	in (mm)	1.85 (47)	2.49 (63)	2.21 (56)	3.27 (83)	2.36 (60)	3.85 (98)	2.97 (75)	4.89 (124)
Effectiveness Factor for Uncracked Concrete	k_{uncr}	-	27				24			
Effectiveness Factor for Cracked Concrete	k_{cr}	-	17		21		17			
Strength Reduction Factor for Concrete Breakout Strength in Tension	ϕ_{cb}	-	0.65							
Axial stiffness in service load range in uncracked concrete	β_{uncr}	lb/inch (N/mm)	63,150 (11,059)	207,850 (36,400)	139,250 (24,386)	140,060 (24,528)	222,870 (39,031)	254,980 (44,653)	292,630 (51,247)	305,530 (53,506)
Axial stiffness in service load range in cracked concrete	β_{cr}	lb/inch (N/mm)	63,150 (11,059)	174,020 (30,476)	130,385 (22,834)	140,060 (24,528)	105,130 (18,411)	192,280 (33,673)	160,050 (28,029)	165,525 (28,968)
Concrete Breakout Strength in Shear										
Nominal Diameter	d_o^2	in (mm)	3/8 (9.5)	3/8 (9.5)	1/2 (12.7)	1/2 (12.7)	5/8 (15.9)	5/8 (15.9)	3/4 (19.1)	3/4 (19.1)
Load Bearing Length of Anchor	l_e	in (mm)	1.85 (47)	2.49 (63)	2.21 (56)	3.27 (83)	2.36 (60)	3.85 (98)	2.97 (75)	4.89 (124)
Reduction Factor for Concrete Breakout Strength in Shear	ϕ_{cb}	-	0.70							
Concrete Pryout Strength in Shear										
Coefficient for Pryout Strength	k_{cp}	-	1.0			2.0	1.0	2.0		
Reduction Factor for Pryout Strength in Shear	ϕ_{cp}	-	0.70							

1. The tabulated data is to be used in conjunction with the design criteria given in ACI 318-14 Chapter 17 or ACI 318-11 Appendix D, as applicable.
 2. All values of ϕ were determined from the load combinations of IBC Section 1605.2, ACI 318-14 Section 5.3 or ACI 318-11 Section 9.2, as applicable. If the load combinations of ACI 318-11 Appendix C are used, then the appropriate value of ϕ must be determined in accordance with ACI 318-11 D.4.4. For reinforcement that meets ACI 318-14 Chapter 17 or ACI 318 Appendix D, as applicable, requirements for Condition A, see ACI 318-14 17.3.3 or ACI 318-11 D.4.3, as applicable, for the appropriate ϕ factor when the load combinations of IBC Section 1605.2, ACI 318-14 Section 5.3 or ACI 318-11 Section 9.2, as applicable, are used.
 3. Where no value is reported for pullout strength, this resistance does not need to be considered.



1. DRILL

Drill a hole into the base material of the correct diameter and depth using a drill bit that meets the requirements of ANSI B212.15

Caution: oversized holes in base material will reduce or eliminate the mechanical interlock of the threads with the base material and reduce the anchor's load capacity

2. BLOW AND CLEAN

Remove dust and debris from hole using a hand pump, compressed air or a vacuum to remove loose particles left from drilling.

3. INSTALL

Select a powered impact wrench or a torque wrench that does not exceed the maximum torque $T_{\text{impact,max}}$ or $T_{\text{inst,max}}$ respectively. Attach an appropriate sized hex socket to the wrench. Mount the screw anchor head in the socket.

4. APPLY TORQUE

Drive the anchor with an impact driver or a torque wrench through the fixture and into the hole until the anchor head washer comes in contact with the fixture. The anchor must be snug after installation. Do not spin the hex socket off the anchor to disengage.

The screw anchors are permitted to be loosened by a maximum of one full turn and retightened with a torque wrench or a powered impact wrench to facilitate fixture attachment or realignment

FIGURE 2—MANUFACTURER'S PUBLISHED INSTALLATION INSTRUCTIONS

TABLE 3—EXAMPLE ALLOWABLE STRESS DESIGN VALUES FOR ILLUSTRATIVE PURPOSES^{1,2,3,4,5,6,7,8,9,10}

Nominal Anchor Diameter d_o (inch)	Nominal Embedment Depth h_{nom} (inch)	Allowable Tension Load $T_{allowable,ASD}$ (lb)
3/8	2 1/2	1,326
	3 1/4	2,330
1/2	3	1,948
	4 1/4	3,116
5/8	3 1/4	1,911
	5	3,981
3/4	4	2,698
	6 1/4	5,699

1. Single anchor.
2. Static tension loading only.
3. Concrete determined to remain uncracked for the life of the anchorage.
4. Load combinations taken from ACI 318-14 Section 5.3 or ACI 318-11 Section 9.2, as applicable with no seismic loading.
5. 30% Dead Load (D) and 70% Live Load (L), controlling load combination 1.2D + 1.6L.
6. Calculation of the weighted average for $\alpha = 1.2 \times 0.3 + 1.6 \times 0.7 = 1.48$
7. Normal weight concrete, $f'_c = 2,500$ psi.
8. $c_{a1} = c_{a2} \geq c_{ac}$
9. Concrete thickness $h \geq h_{min}$.
10. Values are for Condition B (supplementary reinforcement in accordance with ACI 318-14 7.3.3 or ACI 318-11 D.4.3 is not provided).

Illustrative Procedure:

1/2" diameter Sup-R-Bolt screw anchor with nominal embedment depth, $h_{nom} = 4 \text{ 1/4"}.$

Step 1	Calculate steel strength in tension according to ACI 318-14 17.4.1 or ACI 318-11 D.5.1, as applicable.	$\phi_{sa} N_{sa} = 0.65 \times 18,918 = \mathbf{12,296 \text{ lb}}$
Step 2	Calculate concrete breakout strength in tension according to ACI 318-14 17.4.1.1 or ACI 318-11 D.5.2, as applicable.	$\phi_{cb} N_{cb} = 0.65 \times 24 \times (2500)^{0.5} \times (3.27)^{1.5} = \mathbf{4,612 \text{ lb}}$
Step 3	Calculate pullout strength in tension according to ACI 318-14 17.4.1.1 or ACI 318-11 D.5.3, as applicable.	<i>Pull out not to be considered</i>
Step 4	Controlling value from steps 1, 2 and 3 above:	$\phi N_n = \mathbf{4,612 \text{ lb}}$
Step 5	Divide the controlling value by the conversion factor, α , as determined in design assumption 5 and in accordance with Section 4.2.1 of this report.	$T_{allowable,ASD} = 4,612 / 1.48 = \mathbf{3,116 \text{ lb}}$

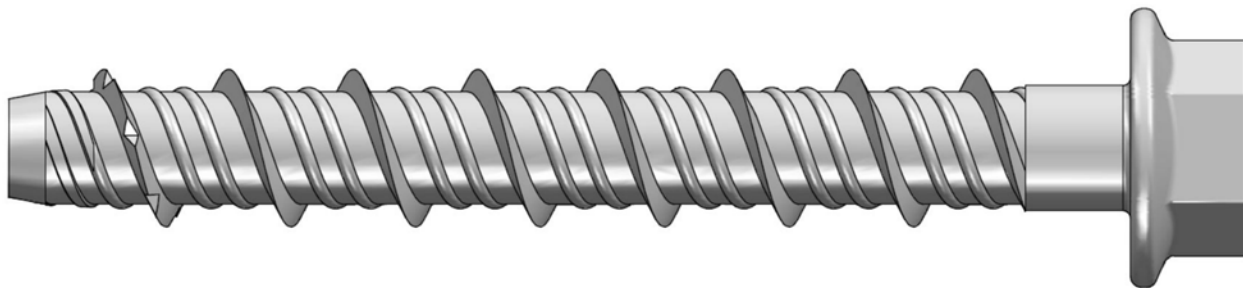


FIGURE 3—SUP-R-BOLT SCREW ANCHOR

ICC-ES Evaluation Report

ESR-4347 LABC and LARC Supplement

Issued December 2018

Revised April 2019

This report is subject to renewal December 2019.

www.icc-es.org | (800) 423-6587 | (562) 699-0543

A Subsidiary of the International Code Council®

DIVISION: 03 00 00—CONCRETE

Section: 03 16 00—Concrete Anchors

DIVISION: 05 00 00—METALS

Section: 05 05 19—Post-Installed Concrete Anchors

REPORT HOLDER:

MKT FASTENING, LLC

EVALUATION SUBJECT:

SUP-R-BOLT SCREW ANCHORS FOR USE IN CRACKED AND UNCRACKED CONCRETE

1.0 REPORT PURPOSE AND SCOPE

Purpose:

The purpose of this evaluation report supplement is to indicate that the Sup-R-Bolt screw anchors for use in cracked and uncracked concrete, described in ICC-ES master evaluation report [ESR-4347](#), have also been evaluated for compliance with the codes noted below as adopted by the Los Angeles Department of Building and Safety (LADBS).

Applicable code editions:

- 2017 *City of Los Angeles Building Code* (LABC)
- 2017 *City of Los Angeles Residential Code* (LARC)

2.0 CONCLUSIONS

The Sup-R-Bolt screw anchors for use in cracked and uncracked concrete, described in Sections 2.0 through 7.0 of the master evaluation report [ESR-4347](#), comply with the LABC Chapter 19, and the LARC, and are subject to the conditions of use described in this supplement.

3.0 CONDITIONS OF USE

The Sup-R-Bolt screw anchors for use in cracked and uncracked concrete described in this evaluation report must comply with all of the following conditions:

- All applicable sections in the master evaluation report [ESR-4347](#).
- The design, installation, conditions of use and identification of the anchors are in accordance with the 2015 *International Building Code*® (2015 IBC) provisions noted in the master evaluation report [ESR-4347](#).
- The design, installation and inspection are in accordance with additional requirements of LABC Chapters 16 and 17, as applicable.
- Under the LARC, an engineered design in accordance with LARC Section R301.1.3 must be submitted.
- The allowable strength and design strength values listed in the master evaluation report and tables are for the connection of the anchors to the concrete. The connection between the anchors and the connected members shall be checked for capacity (which may govern).

This supplement expires concurrently with the master report, issued December 2018 and revised April 2019.

ICC-ES Evaluation Report

ESR-4347 CBC and CRC Supplement

Issued December 2018

Revised April 2019

This report is subject to renewal December 2019

www.icc-es.org | (800) 423-6587 | (562) 699-0543

A Subsidiary of the International Code Council®

DIVISION: 03 00 00—CONCRETE

Section: 03 16 00—Concrete Anchors

DIVISION: 05 00 00—METALS

Section: 05 05 19—Post-Installed Concrete Anchors

REPORT HOLDER:

MKT FASTENING, LLC

EVALUATION SUBJECT:

SUP-R-BOLT SCREW ANCHORS FOR USE IN CRACKED AND UNCRACKED CONCRETE

1.0 REPORT PURPOSE AND SCOPE

Purpose:

The purpose of this evaluation report supplement is to indicate that the Sup-R-Bolt screw anchors for use in cracked and uncracked concrete, recognized in ICC-ES master evaluation report ESR-4347, have also been evaluated for compliance with the codes noted below.

Applicable code editions:

- 2016 *California Building Code* (CBC)

For evaluation of applicable chapters adopted by the California Office of Statewide Health Planning and Development (OSHPD) and Division of the State Architect (DSA), see Sections 2.1 and 2.2 below.

- 2016 *California Residential Code* (CRC)

2.0 CONCLUSIONS

The Sup-R-Bolt screw anchors for use in cracked and uncracked concrete, described in Sections 2.0 through 7.0 of the master evaluation report ESR-4347, comply with CBC Chapter 19 and CRC Section R301.1.3, provided the design and installation are in accordance with the 2015 *International Building Code*® (IBC) provisions noted in the master report, and the additional inspection requirements of the CBC Sections 16 and 17.

2.1 OSHPD:

The Sup-R-Bolt screw anchors for use in cracked and uncracked concrete, described in Sections 2.0 through 7.0 of the master evaluation report ESR-4347, comply with CBC amended Sections in Chapters 16, 17 and 19, and Chapters 16A, 17A and 19A, provided the design and installation are in accordance with the 2015 *International Building Code*® (IBC) provisions noted in the master report, and the additional requirements in Sections 2.1.1 to 2.1.3 of this supplement:

2.1.1 Verification Test Requirements: The installation verification test loads, frequency, and acceptance criteria shall be in accordance with Sections 1901.3.4 [OSHPD 2] and 1910A.5 [OSHPD 1 & 4] of the CBC, as applicable.

2.1.2 Special Inspection Requirements: Periodic special inspection is required, in accordance with Section 1705.1.1 and Table 1705.3 [OSHPD 2], or Section 1705A.1.1, and Table 1705A.3 [OSHPD 1 & 4] of the CBC, as applicable. In addition, special inspection is required for special seismic certification for designated seismic system in accordance with amended Section 1705.13.3.1 [OSHPD 2] and Section 1705A.12.4 [OSHPD 1 & 4] of the CBC, as applicable.

2.1.3 Conditions of Use:

1. Where moment resistance is assumed at the base of the superstructure elements, deformation of the superstructure to foundation connection shall be considered in accordance with Section 1616A.1.16 [OSHPD 1 & 4] of the CBC.

2. The screw anchors may be loosened and retightened in accordance with Section 4.3 of the master report to perform verification test requirements specified in Section 2.1.1 of this supplement. Re-use of screw anchors or screw anchor holes shall not be permitted.

2.2 DSA:

The Sup-R-Bolt screw anchors for use in cracked and uncracked concrete, described in Sections 2.0 through 7.0 of the master evaluation report ESR-4347, comply with CBC amended Sections in Chapters 16 and 19, and Chapters 16A, 17A and 19A, provided the design and installation are in accordance with the 2015 *International Building Code*[®] (IBC) provisions noted in the master report, and the additional requirements in Sections 2.2.1 to 2.2.3 of this supplement:

2.2.1 Verification Test Requirements: The installation verification test loads, frequency, and acceptance criteria shall be in accordance with Sections 1909.2.7 [DSA-SS/CC] and 1910A.5 [DSA-SS] of the CBC, as applicable.

2.2.2 Special Inspection Requirements: Periodic special inspection is required, in accordance with Section 1705A.1.1, and Table 1705A.3 [DSA-SS] of the CBC. In addition, special inspection is required for special seismic certification for designated seismic system in accordance Section 1705A.12.4 [DSA-SS] of the CBC, as applicable.

2.2.3 Conditions of Use:

1. Where moment resistance is assumed at the base of the superstructure elements, deformation of the superstructure to foundation connection shall be considered in accordance with Section 1616.10.14 [DSA-SS/CC] or Section 1616A.1.16 [DSA-SS], as applicable.
2. The screw anchors may be loosened and retightened in accordance with Section 4.3 of the master report to perform verification test requirements specified in Section 2.1.1 of this supplement. Re-use of screw anchors or screw anchor holes shall not be permitted.

This supplement expires concurrently with the master report, issued December 2018 and revised April 2019.

ICC-ES Evaluation Report

ESR-4347 FBC Supplement

Issued December 2018

Revised April 2019

This report is subject to renewal December 2019.

www.icc-es.org | (800) 423-6587 | (562) 699-0543

A Subsidiary of the International Code Council®

DIVISION: 03 00 00—CONCRETE

Section: 03 16 00—Concrete Anchors

DIVISION: 05 00 00—METALS

Section: 05 05 19—Post-Installed Concrete Anchors

REPORT HOLDER:

MKT FASTENING, LLC

EVALUATION SUBJECT:

SUP-R-BOLT SCREW ANCHORS FOR USE IN CRACKED AND UNCRACKED CONCRETE

1.0 REPORT PURPOSE AND SCOPE

Purpose:

The purpose of this evaluation report supplement is to indicate that the Sup-R-Bolt screw anchors for use in cracked and uncracked concrete, recognized in ICC-ES master evaluation report ESR-4347, have also been evaluated for compliance with the codes noted below.

Applicable code editions:

- 2017 *Florida Building Code—Building*
- 2017 *Florida Building Code—Residential*

2.0 CONCLUSIONS

The Sup-R-Bolt screw anchors for use in cracked and uncracked concrete, described in master evaluation report ESR-4347, comply with the *Florida Building Code—Building* and the *Florida Building Code—Residential*, when designed and installed in accordance with the 2015 *International Building Code*® provisions noted in the master report.

Use of the Sup-R-Bolt screw anchors for use in cracked and uncracked concrete for compliance with the High-Velocity Hurricane Zone provisions of the *Florida Building Code—Building* and *Florida Building Code—Residential* has not been evaluated and is outside the scope of this supplemental report.

This supplement expires concurrently with the master report, issued December 2018 and revised April 2019