



ICC  
EVALUATION  
SERVICE

In Cooperation with



*Most Widely Accepted and Trusted*

**ESR-4278**

Issued 09/2018

Revised 02/2019

This report is subject to renewal 09/2019.

# ICC-ES Evaluation Report

ICC-ES | (800) 423-6587 | (562) 699-0543 | [www.icc-es.org](http://www.icc-es.org)

**DIVISION: 03 00 00—CONCRETE**

**SECTION: 03 16 00—CONCRETE ANCHORS**

**05 00 00—METALS**

**SECTION: 05 05 19—POST-INSTALLED CONCRETE ANCHORS**

**REPORT HOLDER:**

**MKT FASTENING, LLC**

**EVALUATION SUBJECT:**

**SUP-R-STUD V-TZ WEDGE ANCHOR FOR CRACKED AND UNCRACKED CONCRETE**



*“2014 Recipient of Prestigious Western States Seismic Policy Council (WSSPC) Award in Excellence”*



*ICC-ES Evaluation Reports are not to be construed as representing aesthetics or any other attributes not specifically addressed, nor are they to be construed as an endorsement of the subject of the report or a recommendation for its use. There is no warranty by ICC Evaluation Service, LLC, express or implied, as to any finding or other matter in this report, or as to any product covered by the report.*



Copyright © 2019 ICC Evaluation Service, LLC. All rights reserved.

# ICC-ES Evaluation Report

**ESR-4278**

Issued September 2018

Revised February 2019

This report is subject to renewal September 2019.

[www.icc-es.org](http://www.icc-es.org) | (800) 423-6587 | (562) 699-0543

A Subsidiary of the International Code Council®

## DIVISION: 03 00 00—CONCRETE

Section: 03 16 00—Concrete Anchors

## DIVISION: 05 00 00—METALS

Section: 05 05 19—Post-Installed Concrete Anchors

## REPORT HOLDER:

MKT FASTENING, LLC

## EVALUATION SUBJECT:

**SUP-R-STUD V-TZ WEDGE ANCHOR FOR CRACKED AND UNCRACKED CONCRETE**

## 1.0 EVALUATION SCOPE

### Compliance with the following codes:

- 2015, 2012, 2009 and 2006 International Building Code® (IBC)
- 2015, 2012, 2009 and 2006 International Residential Code® (IRC)

For evaluation for compliance with codes adopted by the Los Angeles Department of Building and Safety (LADBS), see [ESR-4278 LABC and LARC Supplement](#).

### Property evaluated:

- Structural

## 2.0 USES

The MKT Fastening Sup-R-Stud V-TZ wedge anchor is used as anchorage to resist static, wind and seismic (Seismic Design Categories A through F) tension and shear loads in cracked and uncracked normal-weight and lightweight concrete having a specified compressive strength,  $f'_c$ , of 2,500 psi to 8,500 psi (17.2 MPa to 58.6 MPa).

The Sup-R-Stud V-TZ wedge anchors comply with Section 1901.3 of the 2015 IBC, Section 1909 of the 2012 IBC and Section 1912 of the 2009 and 2006 IBC. The anchor system is an alternative to cast-in-place anchors described in Section 1901.3 of the 2015 IBC, Section 1908 of the 2012 IBC, and Section 1911 of the 2009 and 2006 IBC. The anchors may also be used where an engineered design is submitted in accordance with Section R301.1.3 of the IRC.

## 3.0 DESCRIPTION

### 3.1 General:

Sup-R-Stud V-TZ wedge anchors are torque-controlled, mechanical expansion anchors consisting of an anchor body, expansion clip, nut and washer. A typical anchor is shown in Figure 3 of this report. The anchor body has a tapered mandrel formed on the installed end of the anchor and a threaded section at the opposite end. The taper of the mandrel increases in diameter towards the installed end of the anchor. The three-segment expansion clip wraps around the tapered mandrel. Before installation, this expansion clip is free to rotate about the mandrel. The anchor is set by applying torque to the hex nut; the mandrel is drawn into the expansion clip, which engages the drilled hole and transfers the load to the base material. Pertinent dimensions are given in Table 1 of this report.

### 3.2 Sup-R-Stud V-TZ Wedge Anchor, Carbon Steel:

The anchor bodies are manufactured by cold forming from carbon steel materials conforming to JIS G 3507. The zinc plating on the anchor body complies with ASTM B633 SC1 type III, with a minimum 0.0002 inch (5  $\mu$ m) thickness. The expansion clip is fabricated from low carbon steel conforming to JIS G 3141. The sherardized coating of the clips complies with EN 13811 Class 15 with a minimum 0.0006 inch (15  $\mu$ m) thickness. The hex nut for the carbon steel V-TZ anchor conforms to ASME B18.2.2. The washer for the carbon steel V-TZ anchor conforms to ASME B18.21.1. The available anchor diameters under this report are:  $\frac{3}{8}$  inch,  $\frac{1}{2}$  inch,  $\frac{5}{8}$  inch, and  $\frac{3}{4}$  inch.

### 3.3 Concrete:

Normal-weight and lightweight concrete must conform to Sections 1903 and 1905 of the IBC, as applicable.

## 4.0 DESIGN AND INSTALLATION

### 4.1 Strength Design:

**4.1.1 General:** Design strength of anchors complying with the 2015 IBC, as well as Section R301.1.3 of the 2015 IRC must be determined in accordance with ACI 318-14 Chapter 17 and this report.

Design strength of anchors complying with the 2012 IBC, and the 2012 IRC, must be in accordance with ACI 318-11 Appendix D and this report.

Design strength of anchors complying with the 2009 IBC and 2009 IRC must be in accordance with ACI 318-08 Appendix D and this report.

Design strength of anchors complying with the 2006 IBC and 2006 IRC must be in accordance with ACI 318-05 Appendix D and this report.

Design parameters are based on the 2015 IBC (ACI 318-14) and the 2012 IBC (ACI 318-11) unless noted otherwise in Sections 4.1.1 through 4.1.12 of this report. The strength design of anchors must comply with ACI 318-14 17.3.1 or ACI 318-11 D.4.1, as applicable, except as required in ACI 318-14 17.2.3 or ACI 318-11 D.3.3, as applicable. Strength reduction factors,  $\phi$ , as given in ACI 318-14 17.3.3 or ACI 318-11 D.4.3, as applicable, must be used for load combinations calculated in accordance with Section 1605.2 of the IBC and Section 5.3 of ACI 318-14 or Section 9.2 of ACI 318-11, as applicable. Strength reduction factors,  $\phi$ , as given in ACI 318-11 D.4.4 must be used for load combinations calculated in accordance with ACI 318-11 Appendix C.

The value of  $f'_c$  used in the calculations must be limited to a maximum of 8,000 psi (55.2 MPa), in accordance with ACI 318-14 17.2.7 or ACI 318-11 D.3.7, as applicable.

**4.1.2 Requirements for Static Steel Strength in Tension,  $N_{sa}$ :** The nominal static steel strength in tension must be calculated in accordance with ACI 318-14 17.4.1.2 or ACI 318-11 D.5.1.2, as applicable. The values for  $N_{sa}$  are given in Table 3 of this report. Strength reduction factors,  $\phi$ , corresponding to ductile steel elements may be used for the V-TZ anchors.

**4.1.3 Requirements for Static Concrete Breakout Strength in Tension,  $N_{cb}$  and  $N_{cbg}$ :** The nominal concrete breakout strength of a single anchor or group of anchors in tension,  $N_{cb}$  and  $N_{cbg}$ , respectively, must be calculated in accordance with ACI 318-14 17.4.2 or ACI 318-11 D.5.2, as applicable, with modifications as described in this section. The basic concrete breakout strength of a single anchor in tension,  $N_b$ , must be calculated in accordance with ACI 318-14 17.4.2.2 or ACI 318-11 D.5.2.2, as applicable, using the values of  $h_{ef}$  and  $k_{cr}$  as given in Table 3 of this report. The nominal concrete breakout strength in tension, in regions where analysis indicates no cracking in accordance with ACI 318-14 17.4.2.6 or ACI 318-11 D.5.2.6, as applicable, must be calculated with  $\psi_{c,N} = 1.0$  and using the value of  $k_{uncr}$  as given in Table 3 of this report.

**4.1.4 Requirements for Static Pullout Strength in Tension,  $N_p$ :** The nominal pullout strength of a single anchor, in accordance with ACI 318-14 17.4.3.1 and 17.4.3.2 or ACI 318-11 D.5.3.1 and D.5.3.2, as applicable, in cracked and uncracked concrete,  $N_{p,cr}$  and  $N_{p,uncr}$ , respectively, is given in Table 3 of this report. In lieu of ACI 318-14 17.4.3.6 or ACI 318-11 D.5.3.6, as applicable,  $\psi_{c,P} = 1.0$  for all design cases. In accordance with ACI 318-14 17.4.3.2 or ACI 318-11 D.5.3.2, as applicable, the nominal pullout strength in cracked concrete must be adjusted by calculation according to the following equation:

$$N_{p,ftc} = N_{p,cr} \left( \frac{f'_c}{2,500} \right)^n \quad (\text{lb, psi}) \quad (\text{Eq-1})$$

$$N_{p,ftc} = N_{p,cr} \left( \frac{f'_c}{17.2} \right)^n \quad (\text{N, MPa})$$

In regions where analysis indicates no cracking in accordance with ACI 318-14 17.4.3.6 or ACI 318-11 D.5.3.6, as applicable, the nominal pullout strength in tension must be calculated according to the following equation:

$$N_{p,ftc} = N_{p,uncr} \left( \frac{f'_c}{2,500} \right)^n \quad (\text{lb, psi}) \quad (\text{Eq-2})$$

$$N_{p,ftc} = N_{p,uncr} \left( \frac{f'_c}{17.2} \right)^n \quad (\text{N, MPa})$$

$n$  = normalization exponent given in Table 3.

Where values for  $N_{p,cr}$  or  $N_{p,uncr}$  are not provided in Table 3, the pullout strength in tension need not be evaluated.

**4.1.5 Requirements for Static Steel Strength in Shear,  $V_{sa}$ :** The nominal steel strength in shear,  $V_{sa}$ , in accordance with ACI 318-14 17.5.1.2 or ACI 318-11 D.6.1.2, as applicable, is given in Table 3 of this report and must be used in lieu of the value derived by calculation from ACI 318-14 Eq 17.5.1.2b or ACI 318-11 Eq D-29, as applicable. Strength reduction factors,  $\phi$ , corresponding to ductile steel elements may be used for the V-TZ anchors.

**4.1.6 Requirements for Static Concrete Breakout Strength in Shear,  $V_{cb}$  or  $V_{cbg}$ :** The nominal concrete breakout strength in shear of a single anchor or group of anchors,  $V_{cb}$  or  $V_{cbg}$ , respectively, must be calculated in accordance with ACI 318-14 17.5.2 or ACI 318-11 D.6.2, as applicable, with modifications as provided in this section. The basic concrete breakout strength of a single anchor in shear,  $V_b$ , must be calculated in accordance with ACI 318-14 17.5.2.2 or ACI 318-11 D.6.2.2, as applicable, using values of  $l_e$  and  $d_a$  ( $d_o$ ) given in Table 3 of this report.

**4.1.7 Requirements for Static Concrete Pryout Strength in Shear,  $V_{cp}$  or  $V_{cpg}$ :** The nominal static concrete pryout strength of a single anchor or group of anchors in shear,  $V_{cp}$  or  $V_{cpg}$ , must be calculated in accordance with ACI 318-14 17.5.3 or ACI 318-11 D.6.3, as applicable, modified by using the value of  $k_{cp}$  provided in Table 3 of this report and the value of  $N_{cb}$  or  $N_{cbg}$  as calculated in accordance with Section 4.1.3 of this report.

#### 4.1.8 Requirements for Seismic Design:

**4.1.8.1 General:** For load combinations including seismic, the design must be performed in accordance with ACI 318-14 17.2.3 or ACI 318-11 D.3.3, as applicable. Modifications to ACI 318-14 17.2.3 shall be applied under Section 1905.1.8 of the 2015 IBC. For the 2012 IBC, Section 1905.1.9 shall be omitted. Modifications to ACI 318 (-08, -05) D.3.3 shall be applied under Section 1908.1.9 of the 2009 IBC, or Section 1908.1.16 of the 2006 IBC as applicable.

**4.1.8.2 Seismic Tension:** The nominal steel strength and the nominal concrete breakout strength for anchors in tension must be calculated according to ACI 318-14 17.4.1 and 17.4.2 or ACI 318-11 D.5.1 and D.5.2, respectively, as applicable, as described in Sections 4.1.2 and 4.1.3 of this report. In accordance with ACI 318-14 17.4.3.2 or ACI 318-11 D.5.3.2, as applicable, the appropriate pullout strength in tension for seismic loads,  $N_{p,eq}$  may be adjusted by calculation for concrete strength in accordance with Eq-1 and section 4.1.4 whereby the value of  $N_{p,eq}$  must be substituted for  $N_{p,cr}$ . If no values for  $N_{p,eq}$  are given in Table 3, the static design values govern.

**4.1.8.3 Seismic Shear:** The nominal concrete breakout strength and pryout strength for anchors in shear must be calculated according to ACI 318-14 17.5.2 and 17.5.3 or ACI 318-11 D.6.2 and D.6.3, respectively, as applicable, as described in Sections 4.1.6 and 4.1.7 of this report. In accordance with ACI 318-14 17.5.1.2 or ACI 318-11 D.6.1.2, as applicable, the appropriate value for nominal steel strength for seismic loads,  $V_{sa,eq}$  described in Table 3 must be used in lieu of  $V_{sa}$ .

**4.1.9 Requirements for Interaction of Tensile and Shear Forces:** For anchors or groups of anchors that are subject to the effects of combined tensile and shear forces, the design must be performed in accordance with ACI 318-14 17.6 or ACI 318-11 D.7, as applicable.

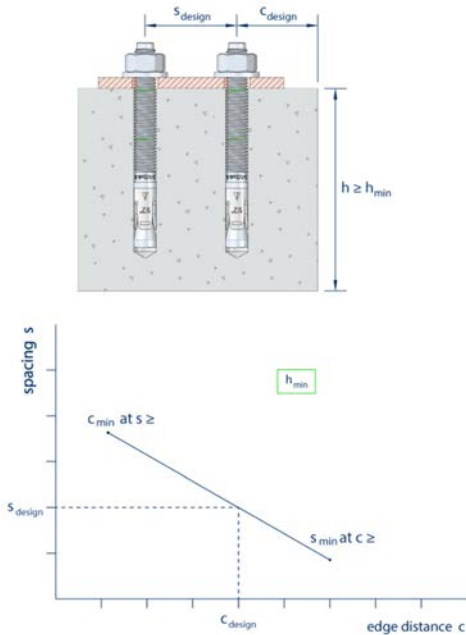
**4.1.10 Requirements for Critical Edge Distance:** In applications where  $c < c_{ac}$  and supplemental reinforcement

to control splitting of the concrete is not present, the concrete breakout strength in tension for uncracked concrete, calculated according to ACI 318-14 17.4.2 or ACI 318-11 D.5.2, as applicable, must be further multiplied by factor  $\psi_{cp,N}$  as given by the following equation:

$$\psi_{cp,N} = \frac{c}{c_{ac}} \quad (\text{Eq-3})$$

where the factor  $\psi_{cp,N}$  need not be taken as less than  $1.5h_{ef} / c_{ac}$ . For all other cases,  $\psi_{cp,N} = 1.0$ . In lieu of ACI 318-14 17.7.6 or ACI 318-11 D.8.6, as applicable, values for the critical edge distance  $c_{ac}$  must be taken from Table 1 of this report.

**4.1.11 Requirements for Minimum Member Thickness, Minimum Anchor Spacing and Minimum Edge Distance:** In lieu of ACI 318-14 17.7.1 and 17.7.3 or ACI 318-11 D.8.1 and D.8.3, respectively, as applicable, values of  $s_{min}$  and  $c_{min}$  as given in Table 1 of this report must be used. In lieu of ACI 318-14 17.7.5 or ACI 318-11 D.8.5, as applicable, minimum member thickness  $h_{min}$  as given in Table 1 of this report must be used. Additional combinations for minimum edge distance ( $c_{min}$ ) and spacing ( $s_{min}$ ) may be derived by linear interpolation between the given boundary values as shown in the following figures.



**4.1.12 Lightweight Concrete:** For the use of anchors in lightweight concrete, the modification factor  $\lambda_a$  equal to  $0.8\lambda$  is applied to all values of  $\sqrt{f'_c}$  affecting  $N_n$  and  $V_n$ .

For ACI 318-14 (2015 IBC), ACI 318-11 (2012 IBC) and ACI 318-08 (2009 IBC),  $\lambda$  shall be determined in accordance with the corresponding version of ACI 318.

For ACI 318-05 (2006 IBC),  $\lambda$  shall be taken as 0.75 for all lightweight concrete and 0.85 for sand-lightweight concrete. Linear interpolation shall be permitted if partial sand replacement is used. In addition, the pullout strengths  $N_{p,unbr}$ ,  $N_{p,cr}$  and  $N_{p,eq}$  shall be multiplied by the modification factor,  $\lambda_a$ , as applicable.

**4.2 Allowable Stress Design (ASD):**

**4.2.1 General:** Design values for use with allowable stress design load combinations calculated in accordance with Section 1605.3 of the IBC shall be established as follows:

$$T_{allowable,ASD} = \frac{\phi N_n}{\alpha} \quad (\text{Eq-4})$$

$$V_{allowable,ASD} = \frac{\phi V_n}{\alpha} \quad (\text{Eq-5})$$

where,

$T_{allowable,ASD}$  = Allowable tension load (lbf or kN)

$V_{allowable,ASD}$  = Allowable shear load (lbf or kN)

$\phi N_n$  = Lowest design strength of an anchor or anchor group in tension as determined in accordance with ACI 318-14 Chapter 17 and 2015 IBC Section 1905.1.8, ACI 318-11 Appendix D, ACI 318-08 Appendix D and 2009 IBC Section 1908.1.9, ACI 318-05 Appendix D and 2006 IBC Section 1908.1.16, and Section 4.1 of this report, as applicable.

$\phi V_n$  = Lowest design strength of an anchor or anchor group in shear as determined in accordance with ACI 318-14 Chapter 17 and 2015 IBC Section 1905.1.8, ACI 318-11 Appendix D, ACI 318-08 Appendix D and 2009 IBC Section 1908.1.9, ACI 318-05 Appendix D and 2006 IBC Section 1908.1.16, and Section 4.1 of this report, as applicable.

$\alpha$  = Conversion factor calculated as a weighted average of the load factors for the controlling load combination. In addition,  $\alpha$  shall include all appropriate factors to account for nonductile failure modes and required over-strength.

The requirements for member thickness, edge distance and spacing, described in this report, must apply. An example of allowable stress design values for illustrative purposes is shown in Table 4.

**4.2.2 Requirements for Interaction of Tensile and Shear Forces:** The interaction must be calculated and consistent with ACI 318-14 17.6 or ACI 318 (-11, -08, -05) D.7, as applicable, as follows:

For shear loads  $V_{applied} \leq 0.2V_{allowable,ASD}$ , the full allowable load in tension  $T_{allowable,ASD}$  may be taken.

For tension loads  $T_{applied} \leq 0.2T_{allowable,ASD}$ , the full allowable load in shear  $V_{allowable,ASD}$  may be taken.

For all other cases:

$$\frac{T_{applied}}{T_{allowable,ASD}} + \frac{V_{applied}}{V_{allowable,ASD}} \leq 1.2 \quad (\text{Eq-6})$$

**4.3 Installation:**

Installation parameters are provided in Table 1 and in Figures 1 and 2 of this report. Anchors must be installed per the manufacturer's published instructions and this report. Anchor locations must comply with this report and the plans and specifications approved by the code official. Anchors must be installed in holes drilled into concrete using carbide-tipped drill bits complying with ANSI B212.15-1994. The nominal drill diameter must be equal to the nominal diameter of the anchor. Prior to anchor installation, the hole must be cleaned in accordance with the manufacturer's published installation instructions. The anchor must be hammered into the predrilled hole until the embedment depth ring mark is flush with or below the concrete surface. The nut must be tightened against the washer until the torque value,  $T_{inst}$ , specified in Table 1, is achieved.

**4.4 Special Inspection:**

Periodic special inspection is required, in accordance with Section 1705.1.1 and Table 1705.3 of the 2015 IBC and 2012 IBC; Section 1704.15 and Table 1704.4 of the 2009 IBC; or Section 1704.13 of the 2006 IBC, as applicable. The special inspector must make periodic



inspections during anchor installation to verify anchor type, anchor dimensions, concrete type, concrete compressive strength, hole dimensions, anchor spacing, edge distances, concrete thickness, anchor embedment, installation torque, and adherence to the manufacturer's published installation instructions. The special inspector must be present as often as required in accordance with the "Statement of Special Inspection". Under the IBC, additional requirements as set forth in Sections 1705, 1706 and 1707 must be observed, where applicable.

## 5.0 CONDITIONS OF USE

The Sup-R-Stud V-TZ wedge anchor described in this report complies with, or is a suitable alternative to what is specified in, those codes listed in Section 1.0 of this report, subject to the following conditions:

- 5.1 Anchor sizes, dimensions and minimum embedment depths are as set forth in the tables of this report.
- 5.2 The anchors must be installed in accordance with the manufacturer's published installation instructions and this report, in cracked and uncracked normal-weight and lightweight concrete having a specified compressive strength of  $f'_c = 2,500$  psi to 8,500 psi (17.2 MPa to 58.6 MPa). In case of conflict between this report and the manufacturer's instructions, this report governs.
- 5.3 The values of  $f'_c$  used for calculation purposes must not exceed 8,000 psi (55.1 MPa).
- 5.4 The concrete shall have attained its minimum design strength prior to installation of the anchors.
- 5.5 Strength design values are established in accordance with Section 4.1 of this report.
- 5.6 Allowable stress design values are established in accordance with Section 4.2 of this report.
- 5.7 Anchor spacing and edge distance as well as minimum member thickness must comply with Table 1 of this report.
- 5.8 Prior to installation, calculations and details demonstrating compliance with this report must be submitted to the code official. The calculations and details must be prepared by a registered design professional where required by the statutes of the jurisdiction in which the project is to be constructed.
- 5.9 Since an ICC-ES acceptance criteria for evaluating data to determine the performance of anchors subjected to fatigue or shock load is unavailable at this time, the use of these anchors under such conditions is beyond the scope of this report.
- 5.10 Anchors may be installed in regions of concrete where cracking has occurred or where analysis indicates cracking may occur ( $f_t > f_r$ ), subject to the conditions of this report.

5.11 Anchors may be used to resist short-term loading due to wind or seismic forces in locations designated as Seismic Design Categories A through F under the IBC, subject to the conditions of this report.

5.12 Where not otherwise prohibited in the code, anchors are permitted for use with fire-resistance-rated construction provided that at least one of the following conditions is fulfilled:

- Anchors are used to resist wind or seismic forces only.
- Anchors that support a fire-resistance-rated envelope or a fire-resistance-rated membrane, are protected by approved fire-resistance-rated materials, or have been evaluated for resistance to fire exposure in accordance with recognized standards.
- Anchors are used to support nonstructural elements.

5.13 Use of zinc-coated carbon steel anchors is limited to dry, interior locations.

5.14 Special inspection must be provided in accordance with Section 4.4 of this report.

5.15 Anchors are manufactured under an approved quality control program with inspections by ICC-ES.

## 6.0 EVIDENCE SUBMITTED

Data in accordance with the ICC-ES Acceptance Criteria for Mechanical Anchors in Concrete Elements (AC193), dated October 2017, which incorporates requirements in ACI 355.2-07, for use in cracked and uncracked concrete; and quality control documentation.

## 7.0 IDENTIFICATION

7.1 The anchors are identified by packaging labeled with the evaluation report holder's name (MKT Fastening, LLC) and address, anchor name, anchor size, and evaluation report number (ESR-4278). The anchors have a diamond embossment, the letters V-TZ, and the anchor size embossed on the sleeve.

7.2 The report holder's contact information is the following:

**MKT FASTENING, LLC**  
**1 GUNNEBO DRIVE**  
**LONOKE, ARKANSAS 72086**  
**(501) 676-2222**  
[www.mktfastening.com](http://www.mktfastening.com)  
[info@mktfastening.com](mailto:info@mktfastening.com)

TABLE 1—ANCHOR INSTALLATION PARAMETERS<sup>1</sup>

Characteristic	Symbol	Unit	Nominal Anchor Diameter							
			$\frac{3}{8}''$	$\frac{1}{2}''$	$\frac{1}{2}''$	$\frac{5}{8}''$	$\frac{5}{8}''$	$\frac{3}{4}''$	$\frac{3}{4}''$	
Outside Diameter	$d_o^2$	in (mm)	(9.5)	(12.7)	(12.7)	(15.9)	(15.9)	(19.1)	(19.1)	
Nominal Embedment Depth	$h_{nom}$	in (mm)	2.33 (59)	2.33 (59)	3.59 (91)	3.23 (82)	4.49 (114)	3.74 (95)	5.26 (134)	
Effective Embedment Depth	$h_{ef}$	in (mm)	2 (51)	2 (51)	3 1/4 (83)	2 3/4 (70)	4 (102)	3 1/4 (83)	4 3/4 (121)	
Minimum Hole Depth	$h_{hole}$	in (mm)	2 5/8 (67)	2 5/8 (67)	4 (102)	3 1/2 (89)	4 3/4 (121)	4 (102)	5 3/4 (146)	
Clearance Hole Diameter	$d_f$	in (mm)	11/16 (14.3)	9/16 (14.3)	9/16 (14.3)	11/16 (17.5)	11/16 (17.5)	11/8 (22.2)	11/8 (22.2)	
Recommended Installation Torque	$T_{inst}$	ft.lb (Nm)	30 (41)	45 (61)	45 (61)	75 (102)	75 (102)	150 (203)	150 (203)	
Minimum Concrete Thickness	$h_{min}$	in (mm)	4 (102)	4 (102)	6 (152)	5 1/2 (140)	6 1/2 (165)	6 (152)	8 (203)	
Critical Edge Distance	$c_{ac}$	in (mm)	6 (152)	6 (152)	7 1/2 (191)	7 (178)	8 1/2 (216)	9 (229)	12 (305)	
Minimum Edge Distance ( $c_{min}$ ) for Spacing ( $s \geq$ )	$c_{min}$	in (mm)	2 1/2 (64)	3 (76)	2 1/2 (64)	3 1/2 (89)	3 1/2 (89)	5 (127)	4 1/2 (114)	
	$s \geq$	in (mm)	6 1/2 (165)	6 (152)	6 (152)	8 (203)	6 (152)	10 1/2 (267)	9 1/2 (241)	
Minimum Spacing ( $s_{min}$ ) for Edge Distance ( $c \geq$ )	$s_{min}$	in (mm)	2 1/2 (64)	2 3/4 (70)	2 1/2 (64)	4 1/2 (114)	4 (102)	5 (127)	4 (102)	
	$c \geq$	in (mm)	4 (102)	6 (152)	4 (102)	6 (152)	5 (127)	10 1/2 (267)	8 1/2 (216)	
Minimum Overall Anchor Length	$l_{anch}$	in (mm)	3 (76)	3 1/2 (89)	4 1/2 (114)	4 1/4 (108)	5 1/2 (140)	5 (127)	6 1/2 (165)	
Torque Wrench Socket Size	-	in	9/16	3/4	3/4	15/16	15/16	1 1/8	1 1/8	

- The tabulated data is to be used in conjunction with the design criteria given in ACI 318-14 Chapter 17 or ACI 318-11 Appendix D.
- For the 2006 IBC:  $d_o$  replaces  $d_a$  and  $A_{se,N}$  replaces  $A_{se}$ .

TABLE 2—V-TZ WEDGE ANCHOR LENGTH CODE IDENTIFICATION SYSTEM

Length ID marking on threaded stud head		A	B	C	D	E	F	G	H	I	J	K	L	M	N	O	P	Q
Overall anchor length (in.)	From	1 1/2	2	2 1/2	3	3 1/2	4	4 1/2	5	5 1/2	6	6 1/2	7	7 1/2	8	8 1/2	9	9 1/2
	Up to, but not including	2	2 1/2	3	3 1/2	4	4 1/2	5	5 1/2	6	6 1/2	7	7 1/2	8	8 1/2	9	9 1/2	10

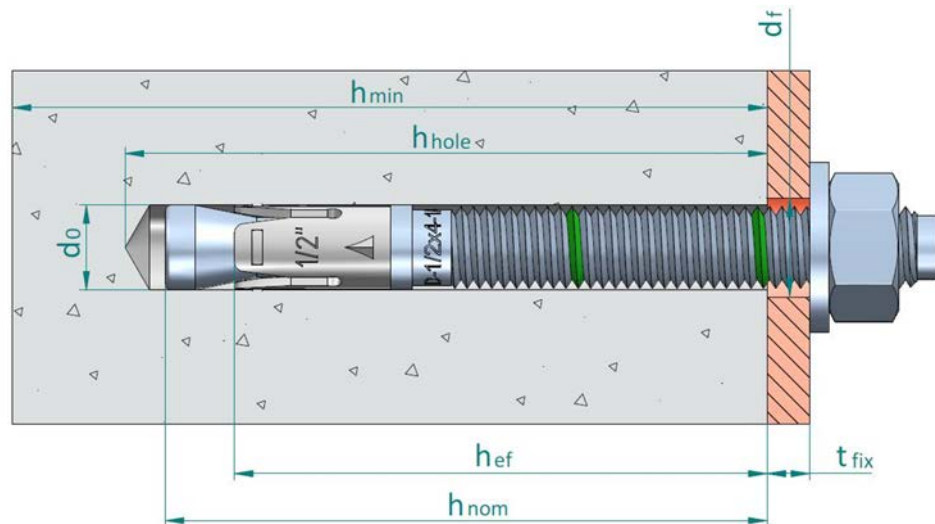
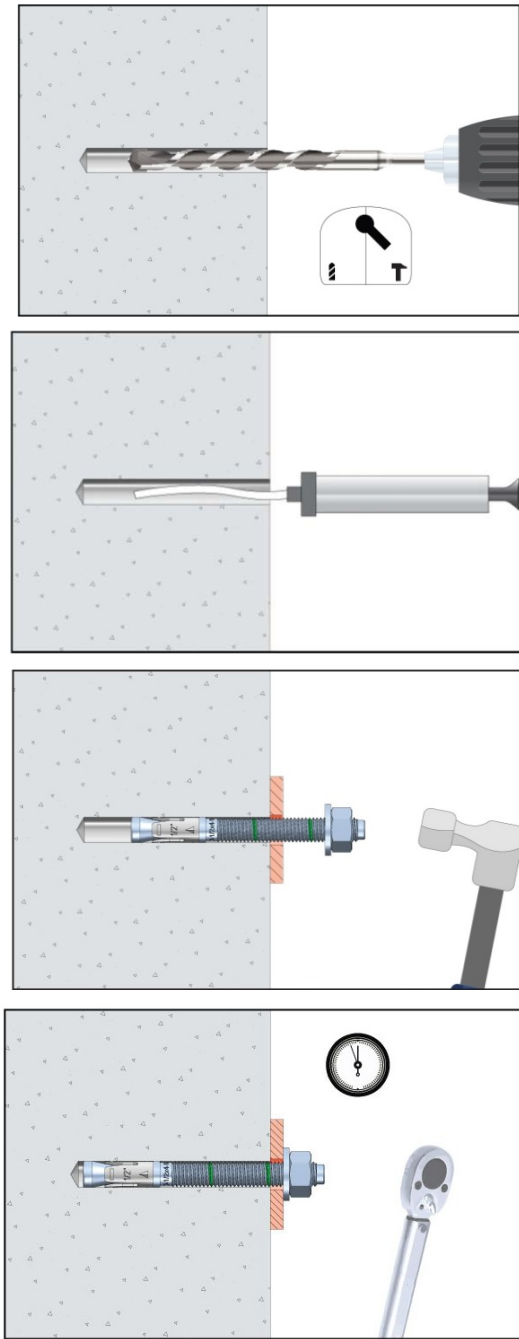


FIGURE 1—ANCHOR DIMENSIONS

TABLE 3—ANCHOR DESIGN INFORMATION<sup>1,3,4,5</sup>

Characteristic	Symbol	Unit	Nominal Anchor Diameter						
			3/8"	1/2"		5/8"		3/4"	
Outside Diameter	$d_o^2$	in (mm)	3/8 (9.5)	1/2 (12.7)	1/2 (12.7)	5/8 (15.9)	5/8 (15.9)	3/4 (19.1)	3/4 (19.1)
Nominal Embedment Depth	$h_{nom}$	in (mm)	2.33 (59)	2.33 (59)	3.59 (91)	3.23 (82)	4.49 (114)	3.74 (95)	5.26 (134)
Effective Embedment Depth	$h_{ef}$	in (mm)	2 (51)	2 (51)	3 1/4 (83)	2 3/4 (70)	4 (102)	3 1/4 (83)	4 3/4 (121)
Effective Steel Stress Area (Threads)	$A_{se}^2$	in <sup>2</sup> (mm <sup>2</sup> )	0.077 (49.7)	0.141 (91.0)	0.141 (91.0)	0.226 (145.8)	0.226 (145.8)	0.334 (215.5)	0.334 (215.5)
Effective Steel Stress Area (Neck)	$A_{se}^2$	in <sup>2</sup> (mm <sup>2</sup> )	0.0562 (36.3)	0.100 (64.5)	0.100 (64.5)	0.160 (103.2)	0.160 (103.2)	0.238 (153.5)	0.238 (153.5)
<b>Steel Strength in Tension and Shear</b>									
Minimum Specified Yield Strength (Threads)	$f_y$	psi (N/mm <sup>2</sup> )	69,500 (480)						
Minimum Specified Yield Strength (Neck)	$f_y$	psi (N/mm <sup>2</sup> )	85,000 (585)			81,000 (560)		77,000 (530)	
Minimum Specified Ultimate Strength	$f_{ut}$	psi (N/mm <sup>2</sup> )	87,000 (600)						
Steel Strength in Tension	$N_{sa}$	lb (kN)	6,125 (27.2)	10,600 (47.2)	10,600 (47.2)	16,240 (72.2)	16,240 (72.2)	22,730 (101.1)	22,730 (101.1)
Strength Reduction Factor for Steel Failure in Tension	$\phi_{sa}$	-	0.75						
Steel Strength in Shear	$V_{sa}$	lb (kN)	2,860 (12.7)	4,820 (21.4)	4,820 (21.4)	9,040 (40.2)	9,040 (40.2)	12,300 (54.7)	14,280 (63.5)
Steel Strength in Shear, Seismic	$V_{sa,eq}$	lb (kN)	2,720 (12.1)	4,045 (17.9)	4,045 (17.9)	7,700 (34.2)	7,700 (34.2)	8,870 (39.4)	8,870 (39.4)
Strength Reduction Factor for Steel Failure in Shear	$\phi_{sa}$	-	0.65						
<b>Pullout Strength in Tension</b>									
Pullout Strength in Uncracked Concrete	$N_{p,uncr}$	lb (kN)	3,325 (14.79)	3,394 (15.10)	5,723 (25.46)	-	-	-	-
Pullout Strength in Cracked Concrete	$N_{p,cr}$	lb (kN)	2,163 (9.62)	-	4,252 (18.91)	-	-	-	-
Pullout Strength in Cracked Concrete, Seismic	$N_{eq}$	lb (kN)	2,115 (9.41)	-	4,252 (18.91)	-	-	-	-
Anchor Category	1, 2 or 3	-	1	1	1	1	1	1	1
Strength Reduction Factor for Pullout Strength in Tension	$\phi_p$	-	0.65						
<b>Concrete Breakout Strength in Tension</b>									
Effectiveness Factor for Uncracked Concrete	$k_{uncr}$	-	24	24	24	24	24	27	24
Effectiveness Factor for Cracked Concrete	$k_{cr}$	-	17	17	17	21	17	21	21
Strength Reduction Factor for Concrete Breakout Strength in Tension	$\phi_{cb}$	-	0.65						
Axial stiffness in service load range in uncracked concrete	$\beta_{uncr}$	lb/inch (N/mm)	169,540 (29,690)	296,770 (51,972)	129,020 (22,594)	134,210 (23,503)	88,970 (15,580)	165,900 (29,053)	138,430 (24,242)
Axial stiffness in service load range in cracked concrete	$\beta_{cr}$	lb/inch (N/mm)	74,240 (13,001)	76,285 (13,359)	52,680 (9,225)	48,940 (8,570)	61,430 (10,758)	75,610 (13,241)	90,400 (15,830)
Normalization Exponent, Uncracked Concrete	$n$	-	0.38	0.39	0.50	0.50	0.50	0.50	0.50
Normalization Exponent, Cracked Concrete	$n$	-	0.50	0.50	0.46	0.50	0.50	0.50	0.50
<b>Concrete Breakout Strength in Shear</b>									
Nominal Diameter	$d_o^2$	in (mm)	3/8 (9.5)	1/2 (12.7)	1/2 (12.7)	5/8 (15.9)	5/8 (15.9)	3/4 (19.1)	3/4 (19.1)
Load Bearing Length of Anchor	$l_e$	in (mm)	2 (51)	2 (51)	3 1/4 (83)	2 3/4 (70)	4 (102)	3 1/4 (83)	4 3/4 (121)
Reduction Factor for Concrete Breakout Strength in Shear	$\phi_{cb}$	-	0.70						
<b>Concrete Pryout Strength in Shear</b>									
Coefficient for Pryout Strength	$k_{cp}$	-	1.0	1.0	2.0	2.0	2.0	2.0	2.0
Reduction Factor for Pryout Strength in Shear	$\phi_{cp}$	-	0.70						

1. The tabulated data is to be used in conjunction with the design criteria given in ACI 318-14 Chapter 17 or ACI 318-11 Appendix D.  
 2. For the 2006 IBC:  $d_o$  replaces  $d_s$  and  $A_{se,N}$  replaces  $A_{se}$ .  
 3. The tabulated values of  $\phi_{sa}$  are applicable when the load combinations of Section 1605.2 of the IBC, ACI 318-14 Section 5.3 or ACI 318-11 Section 9.2 are used. If the load combinations of ACI 318-11 Appendix C are used, the appropriate value of  $\phi_{sa}$  must be determined in accordance with ACI 318-11 D.4.4.  
 4. The tabulated values of  $\phi_{sa}$  are applicable when the load combinations of Section 1605.2 of the IBC, ACI 318-14 Section 5.3 or ACI 318-11 Section 9.2 are used and the requirements of ACI 318-14 17.3.3(c) or ACI 318-11 D.4.3(c), as applicable, for Condition B are met. Condition B applies where supplementary reinforcement is not supplied.  
 5. Where no value is reported for pullout strength, this resistance does not need to be considered.



**1. DRILL**

Drill a hole into the base material of the correct diameter and depth using a drill bit that meets the requirements of ANSI B212.15

**2. BLOW AND CLEAR**

Remove dust and debris from hole using a hand pump, compressed air or a vacuum to remove loose particles left from drilling.

**3. INSTALL**

Position the washer on the anchor and thread on the nut. If installing through a fixture drive the anchor through the fixture into the hole. Be sure the anchor is driven until the corresponding green mark depth is level or below the base material surface.

Use a hammer if necessary.

**4. APPLY TORQUE**

Tighten the anchor with a torque wrench by applying the required installation torque,  $T_{inst}$ . Note: the threaded stud will draw up during tightening of the nut; the expansion wedge (clip) remains in the original position.

Once installed, the total length of the anchor may be checked using the letter on the head.

**FIGURE 2—MANUFACTURER’S PUBLISHED INSTALLATION INSTRUCTIONS**



TABLE 4—EXAMPLE ALLOWABLE STRESS DESIGN VALUES FOR ILLUSTRATIVE PURPOSES<sup>1,2,3,4,5,6,7,8,9,10</sup>

Nominal Anchor Diameter $d_o$ (inch)	Effective Embedment Depth $h_{ef}$ (inch)	$T_{allowable,ASD}$ (lb)
3/8	2	1,460
1/2	2	1,491
1/2	3 1/4	2,513
5/8	2 3/4	2,403
5/8	4	4,216
3/4	3 1/4	3,474
3/4	4 3/4	5,456

1. Single anchor.
2. Static tension loading only.
3. Concrete determined to remain uncracked for the life of the anchorage.
4. Load combinations taken from ACI 318-14 Section 5.3 or ACI 318-11 Section 9.2, as applicable with no seismic loading.
5. 30% Dead Load (D) and 70% Live Load (L), controlling load combination 1.2D + 1.6L.
6. Calculation of the weighted average for  $\alpha = 1.2 \times 0.3 + 1.6 \times 0.7 = 1.48$
7. Normal weight concrete,  $f'_c = 2,500$  psi.
8.  $C_{a1} = C_{a2} \geq C_{ac}$
9. Concrete thickness  $h \geq h_{min}$ .
10. Values are for Condition B (supplementary reinforcement in accordance with ACI 318-14 7.3.3 or ACI 318-11 D.4.3 is not provided).

**Illustrative Procedure:**

1/2" diameter V-TZ anchor with effective embedment depth,  $h_{ef} = 3 \frac{1}{4}$ ".

Step 1	Calculate steel strength in tension according to ACI 318-14 17.4.1 or ACI 318-11 D.5.1, as applicable.	$\phi_{sa} \cdot N_{sa} = 0.75 \times 10,600 = \underline{7,950 \text{ lb}}$
Step 2	Calculate concrete breakout strength in tension according to ACI 318-14 17.4.1.1 or ACI 318-11 D.5.2, as applicable.	$\phi_{cb} \cdot N_{cb} = 0.65 \times 7,031 = \underline{4,570 \text{ lb}}$
Step 3	Calculate pullout strength in tension according to ACI 318-14 17.4.1.1 or ACI 318-11 D.5.3, as applicable.	$\phi_p \cdot N_{p,uncr} = 0.65 \times 5,723 = \underline{3,719 \text{ lb}}$
Step 4	Controlling value from steps 1, 2 and 3 above:	$\phi N_n = \underline{3,719 \text{ lb}}$
Step 5	Divide the controlling value by the conversion factor, $\alpha$ , as determined in design assumption 5 and in accordance with Section 4.2.1 of this report.	$T_{allowable,ASD} = 3719 / 1.48 = \underline{2,513 \text{ lb}}$

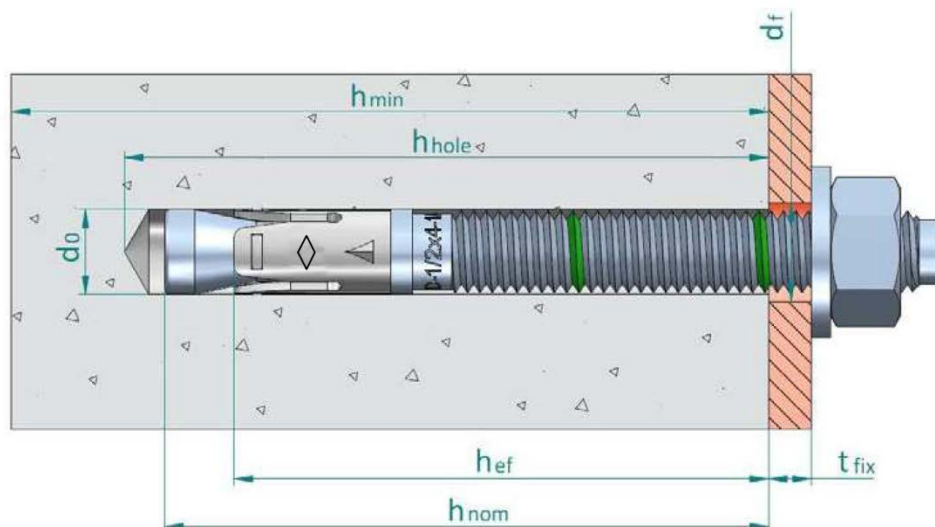


FIGURE 3—V-TZ WEDGE ANCHOR

## ICC-ES Evaluation Report

## ESR-4278 LABC and LARC Supplement

Issued September 2018

Revised February 2019

This report is subject to renewal September 2019.

[www.icc-es.org](http://www.icc-es.org) | (800) 423-6587 | (562) 699-0543

A Subsidiary of the International Code Council®

**DIVISION: 03 00 00—CONCRETE**

**Section: 03 16 00—Concrete Anchors**

**DIVISION: 05 00 00—METALS**

**Section: 05 05 19—Post-Installed Concrete Anchors**

**REPORT HOLDER:**

**MKT FASTENING, LLC**

**EVALUATION SUBJECT:**

**SUP-R-STUD V-TZ WEDGE ANCHOR FOR CRACKED AND UNCRACKED CONCRETE**

### 1.0 REPORT PURPOSE AND SCOPE

#### **Purpose:**

The purpose of this evaluation report supplement is to indicate that the MKT Fastening Sup-R-Stud V-TZ wedge anchor for cracked and uncracked concrete, described in ICC-ES master evaluation report [ESR-4278](#), has also been evaluated for compliance with the codes noted below as adopted by the Los Angeles Department of Building and Safety (LADBS).

#### **Applicable code editions:**

- 2017 *City of Los Angeles Building Code* (LABC)
- 2017 *City of Los Angeles Residential Code* (LARC)

### 2.0 CONCLUSIONS

The Sup-R-Stud V-TZ wedge anchor for cracked and uncracked concrete, described in Sections 2.0 through 7.0 of the master evaluation report [ESR-4278](#), complies with the LABC Chapter 19, and the LARC, and is subjected to the conditions of use described in this supplement.

### 3.0 CONDITIONS OF USE

The Sup-R-Stud V-TZ wedge anchor for cracked and uncracked concrete described in this evaluation report must comply with all of the following conditions:

- All applicable sections in the master evaluation report [ESR-4278](#).
- The design, installation, conditions of use and identification of the anchors are in accordance with the 2015 *International Building Code*® (2015 IBC) provisions noted in the master evaluation report [ESR-4278](#).
- The design, installation and inspection are in accordance with additional requirements of LABC Chapters 16 and 17, as applicable.
- Under the LARC, an engineered design in accordance with LARC Section R301.1.3 must be submitted.
- The allowable strength and design strength values listed in the master evaluation report and tables are for the connection of the anchors to the concrete. The connection between the anchors and the connected members shall be checked for capacity (which may govern).

This supplement expires concurrently with the master report, issued September 2018 and revised February 2019.

## ICC-ES Evaluation Report

## ESR-4278 CBC and CRC Supplement

Issued September 2018

Revised February 2019

This report is subject to renewal September 2019.

[www.icc-es.org](http://www.icc-es.org) | (800) 423-6587 | (562) 699-0543

A Subsidiary of the International Code Council®

**DIVISION: 03 00 00—CONCRETE**

**Section: 03 16 00—Concrete Anchors**

**DIVISION: 05 00 00—METALS**

**Section: 05 05 19—Post-Installed Concrete Anchors**

**REPORT HOLDER:**

**MKT FASTENING, LLC**

**EVALUATION SUBJECT:**

**SUP-R-STUD V-TZ WEDGE ANCHOR FOR CRACKED AND UNCRACKED CONCRETE**

### 1.0 REPORT PURPOSE AND SCOPE

**Purpose:**

The purpose of this evaluation report supplement is to indicate that the Sup-R-Stud V-TZ wedge anchor for cracked and uncracked concrete, recognized in ICC-ES master evaluation report ESR-4278, has also been evaluated for compliance with the codes noted below.

**Applicable code editions:**

- 2016 *California Building Code* (CBC)
- 2016 *California Residential Code* (CRC)

### 2.0 CONCLUSIONS

#### 2.1 CBC:

The Sup-R-Stud V-TZ wedge anchor for cracked and uncracked concrete, described in Sections 2.0 through 7.0 of the master evaluation report ESR-4278, complies with CBC Chapters 19 and 19A, provided the design and installation are in accordance with the 2015 *International Building Code*® (IBC) provisions noted in the master report and the additional requirements of CBC Chapters 16, 16A, 17, 17A, 19 and 19A, as applicable.

#### 2.2 CRC:

The Sup-R-Stud V-TZ wedge anchor for cracked and uncracked concrete, described in Sections 2.0 through 7.0 of the master evaluation report ESR-4278, complies with the CRC, provided the design and installation are in accordance with the 2015 *International Building Code*® (IBC) provisions noted in the master report, and the additional requirements of CBC Chapters 16, 17 and 19, as applicable.

This supplement expires concurrently with the master report, issued September 2018 and revised February 2019.

## ICC-ES Evaluation Report

## ESR-4278 FBC Supplement

Issued September 2018

Revised February 2019

This report is subject to renewal September 2019.

[www.icc-es.org](http://www.icc-es.org) | (800) 423-6587 | (562) 699-0543

A Subsidiary of the International Code Council®

**DIVISION: 03 00 00—CONCRETE**

**Section: 03 16 00—Concrete Anchors**

**DIVISION: 05 00 00—METALS**

**Section: 05 05 19—Post-Installed Concrete Anchors**

**REPORT HOLDER:**

**MKT FASTENING, LLC**

**EVALUATION SUBJECT:**

**SUP-R-STUD V-TZ WEDGE ANCHOR FOR CRACKED AND UNCRACKED CONCRETE**

### 1.0 REPORT PURPOSE AND SCOPE

**Purpose:**

The purpose of this evaluation report supplement is to indicate that the Sup-R-Stud V-TZ wedge anchor for cracked and uncracked concrete, recognized in ICC-ES master evaluation report ESR-4278, has also been evaluated for compliance with the codes noted below.

**Applicable code editions:**

- 2017 *Florida Building Code—Building*
- 2017 *Florida Building Code—Residential*

### 2.0 CONCLUSIONS

The Sup-R-Stud V-TZ wedge anchor for cracked and uncracked concrete, described in master evaluation report ESR-4278, complies with the *Florida Building Code—Building* and the *Florida Building Code—Residential*, when designed and installed in accordance with the 2015 *International Building Code*® provisions noted in the master report.

Use of the Sup-R-Stud V-TZ wedge anchor for cracked and uncracked concrete for compliance with the High-Velocity Hurricane Zone provisions of the *Florida Building Code—Building* and *Florida Building Code—Residential* has not been evaluated, and is outside the scope of this supplemental report.

This supplement expires concurrently with the master report, issued September 2018, and revised February 2019.